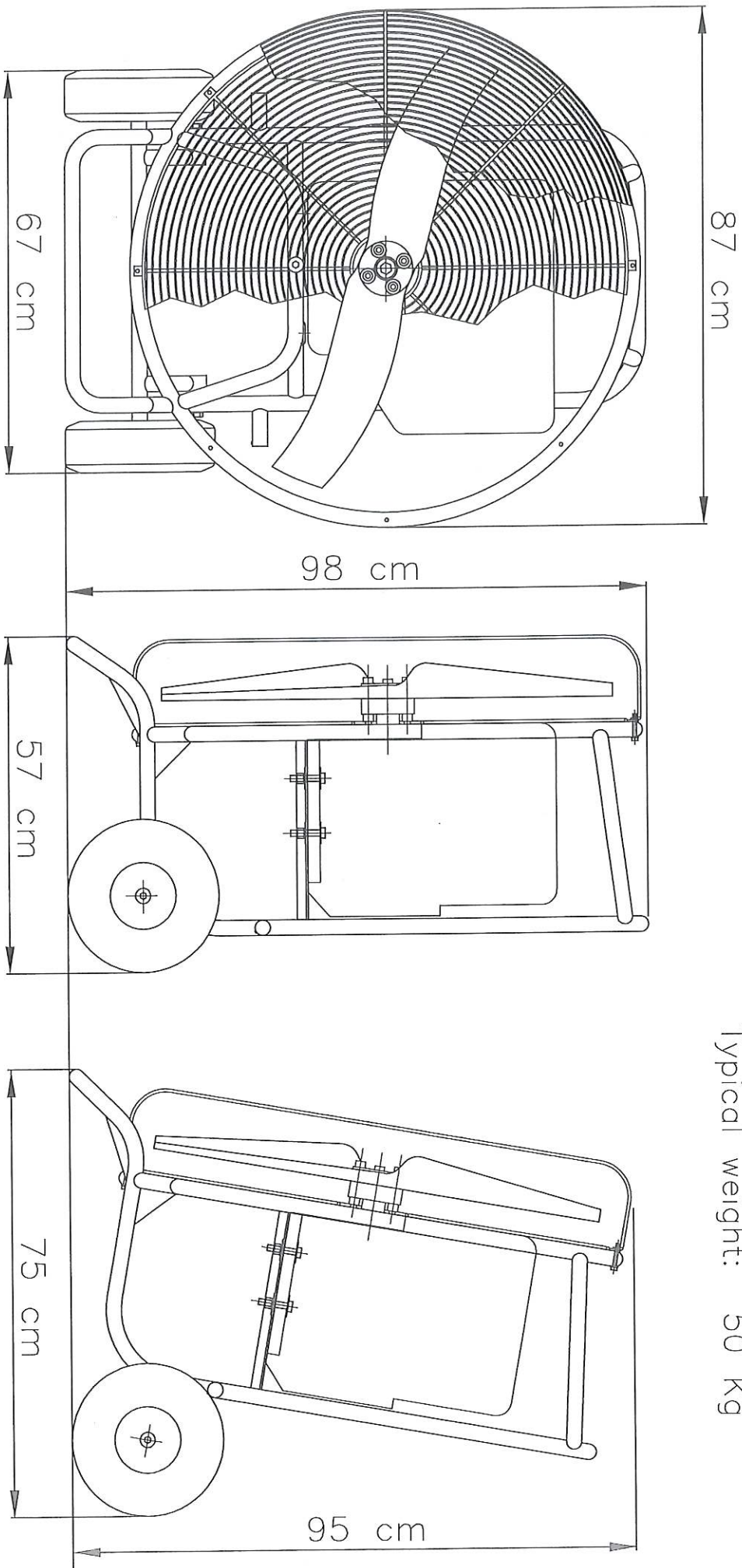




3rd Angle projection

Cameron Balloons Ltd. Bristol – England

Rotor Diameter: 75 cm  
 Typical weight: 50 Kg



Sizes apply to CB6448 type 8hp Fan  
 manufactured 2000 onwards

Sizes are with fully inflated/solid tyres  
 and should not exceed the values shown

Dimensions in mm unless noted otherwise		Stressed	
Linear	± N/A	Linear	N/A
Angular	± N/A	Angular	N/A
Scale	NTS	Checked	N/A
© 2017	Drawn on CAD	Title 8hp Inflation Fan Size Envelope	
PU 16.5.17 ISS A New diagram			
Δ Modification Record Δ			