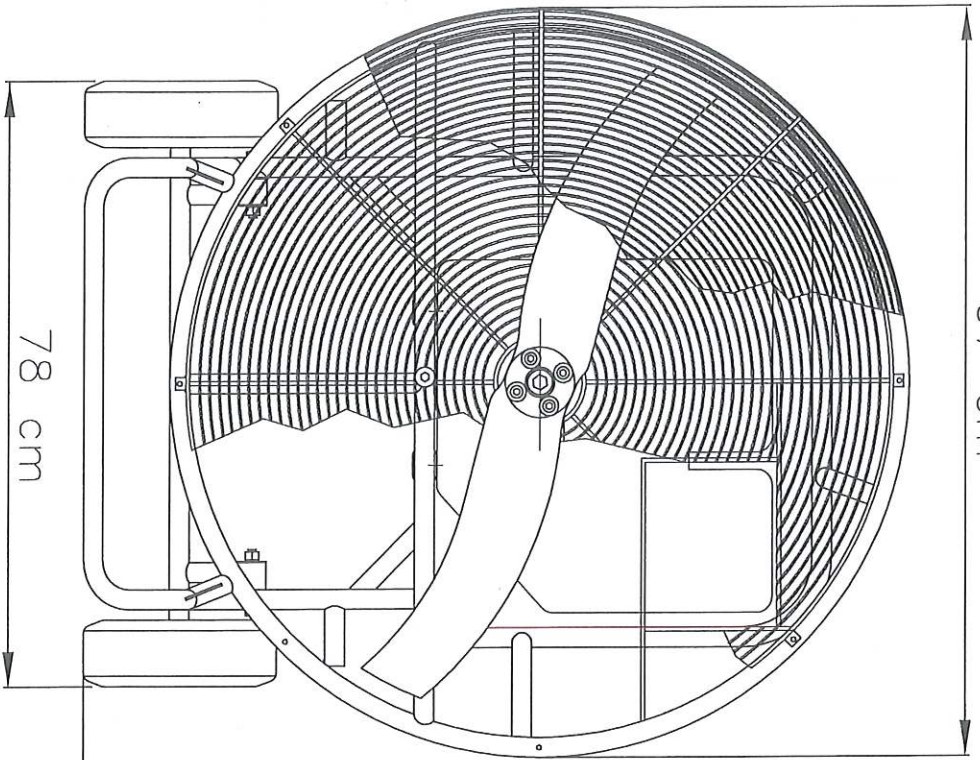


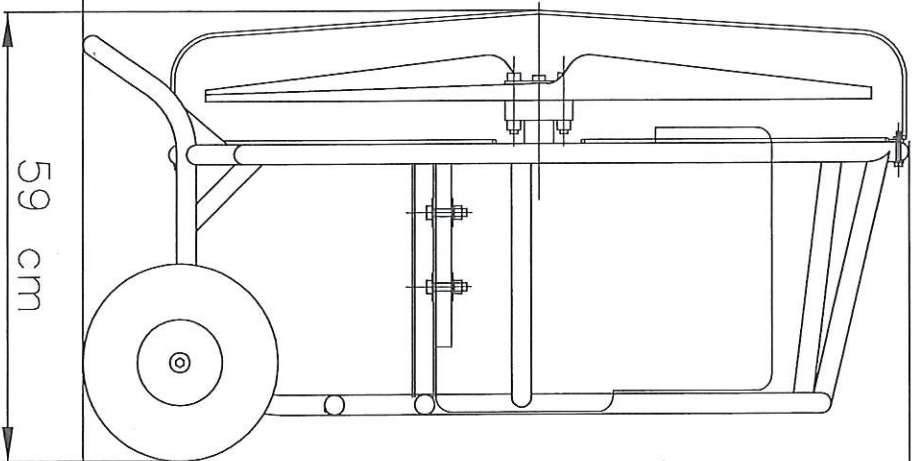


Cameron Balloons Ltd. Bristol – England

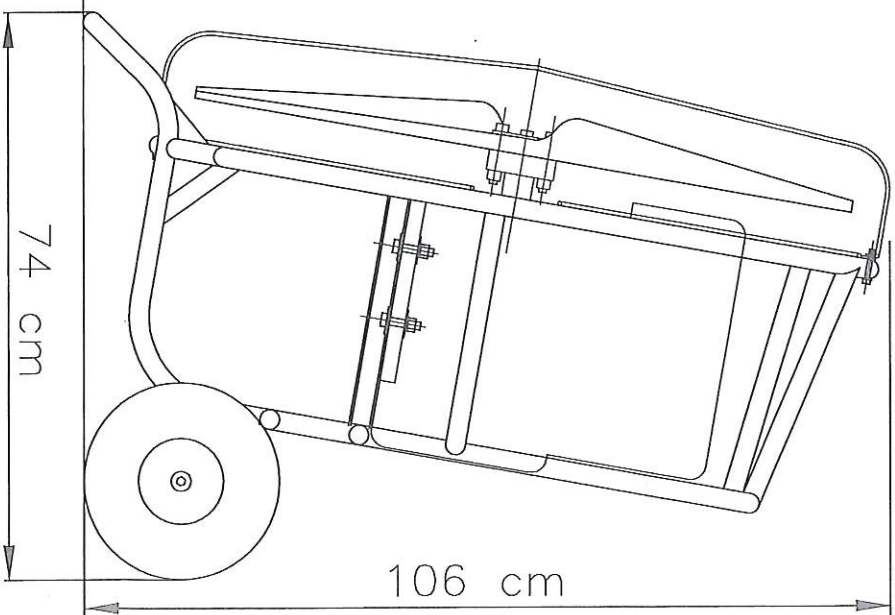
97 cm



Rotor Diameter: 86 cm  
Typical Weight: 61 Kg



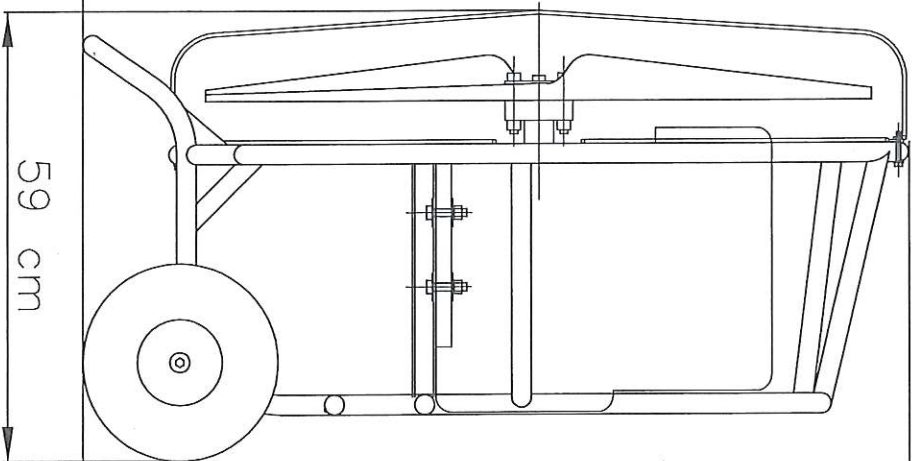
108 cm



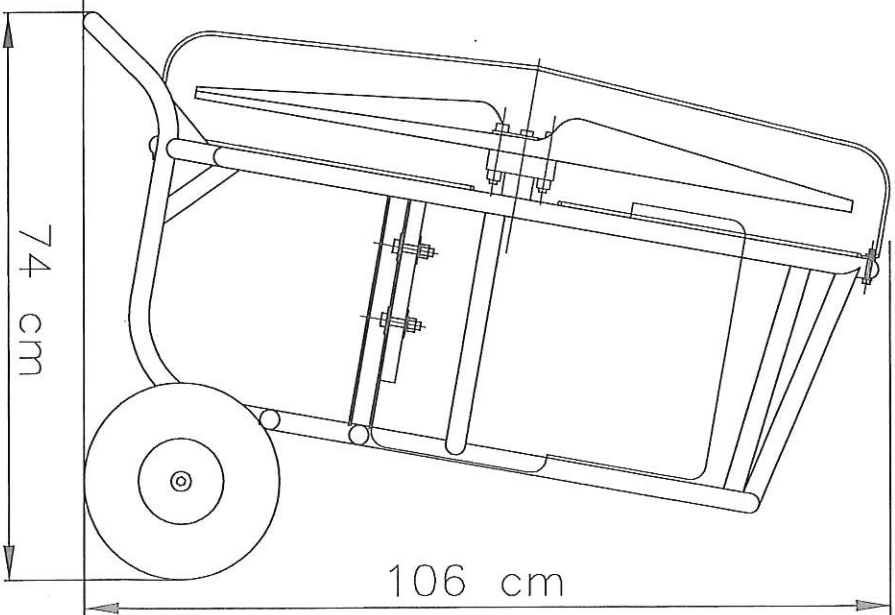
106 cm



78 cm



59 cm



74 cm

Sizes apply to CB6443 type 13hp Fan  
manufactured 2000 onwards

Sizes are with fully inflated/solid tyres  
and should not exceed the values shown

Dimensions in mm unless noted otherwise		Stressed N/A		PU 16.5.17 ISS A New diagram Δ Modification Record Δ
Linear ± N/A	Angular ± N/A	Approved N/A	Checked N/A	
© 2017	Drawn on CAD	Scale:-- NTS	Checked N/A	13hp Inflation Fan Size Envelope