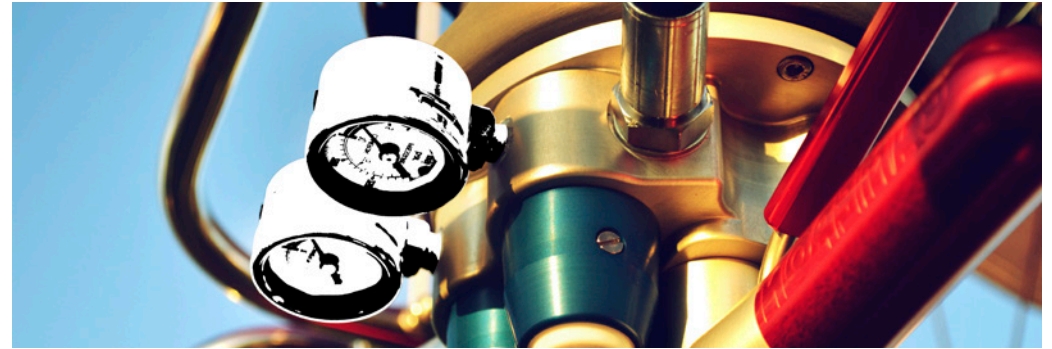


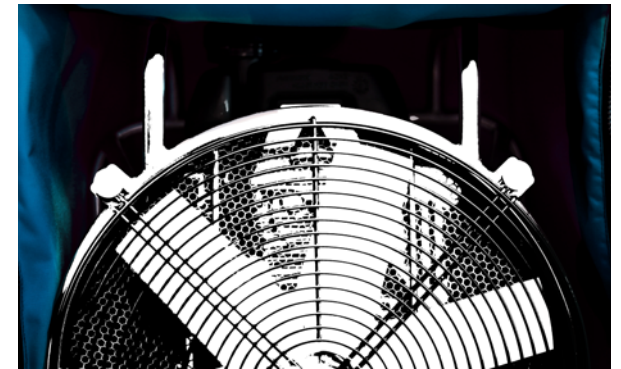
# Illustrated Parts Catalogue

Revision 09/20

**CAMERON  
BALLOONS**



Everything  
you'll need to  
**identify**, order  
and **replace**.



Customer Name:

---

Delivery Address:

---

Email:

---

Tel: \_\_\_\_\_ Fax: \_\_\_\_\_

---

VAT REG No (if applicable):

**ORDER FORM**

Qty	Part No	Description	Price
1	EASA	FORM1      Yes <input type="checkbox"/> No <input type="checkbox"/>	£8 (€10)


**CUSTOMER DESPATCH INSTRUCTION**

UK:                       1 - 2 Days       3 - 5 Days

Europe:                 1 - 2 Days       3 Days       5 Days

Rest of the World:                       3 - 5 Days

**YOUR PAYMENT METHOD**

  [paypal@cameronballoons.co.uk](mailto:paypal@cameronballoons.co.uk)

B.A.C.S       CBL Account       Cheque

Card Number:

Visa       Solo       Mastercard       Maestro

Card Expiry:                                      3 Digit Security No:

Cardholders Name:

Cardholders Address (if different from delivery address):

---



---



---

Internal Ref Only:

Sales Person / Dealer: \_\_\_\_\_

Date Received: \_\_\_\_\_      Date Scheduled: \_\_\_\_\_

Customer Order Ref: \_\_\_\_\_      Original       Revised

Deposit: \_\_\_\_\_      Currency: \_\_\_\_\_

[aftersales@cameronballoons.co.uk](mailto:aftersales@cameronballoons.co.uk)



## INTRODUCTION

Welcome to the Cameron Balloons Ltd Illustrated Parts Catalogue.

Photos and illustrations contained within this manual for reference purposes only.

Images are not to scale.

Each item within this Catalogue has a dedicated Parts Number. This number must be quoted when ordering. Further information such as model, serial number, size, master or standard cylinder and colour may also be required.

If you can not find an item in this Catalogue, please contact [aftersales@cameronballoons.co.uk](mailto:aftersales@cameronballoons.co.uk) for further assistance.

Cameron Balloons Ltd reserve the right to change, substitute or delete any parts illustrated in this catalogue without prior notice. **Not all parts illustrated are held in stock** and may have to be ordered especially which can lead to delays or long lead times particularly for Lindstrand, T&C and Sky products.

For maintenance and repair instructions for Cameron and Thunder & Colt baskets, burners and fuel systems, please refer to the latest revision of the Cameron Balloons Maintenance Manual. This can be downloaded from [www.cameronballoons.co.uk](http://www.cameronballoons.co.uk)

For burners and fuel cylinders not listed in the Maintenance Manual, please contact Cameron Balloons Ltd for the applicable manuals and advice.

Authorisation to perform maintenance and repair in all cases is given by your National Civil Aviation Authority in accordance with their regulations.

Cameron Balloons Ltd accepts no responsibility for either incorrect identification of parts or the fitting of any parts by anyone other than its qualified employees.

Copyright of this manual and illustrations is solely with Cameron Balloons Ltd.

No unauthorised use or reproduction of this manual is permitted without permission in writing from the copyright holder.

SECTION	CONTENT
S0	ENVELOPE COMPONENTS
S1	BURNER & FRAME ACCESSORIES
S2	SHADOW/STEALTH / SINGLE / MINI BURNER
S3	STRATUS BURNER
S4	STRATUS NEO BURNER
S5	SIROCCO/SIROCCO 'EP' BURNER
S6	MK 4 SUPER BURNER
S7	COLT MKII / C2 BURNER
S8	C2 PLUS BURNER
S9	COLT MKIII / C3 BURNER
S10	MAGNUM / C3T BURNER
S11	FUEL SYSTEM - REFUELLING FUEL SYSTEM - MISCELLANEOUS "ALUGAS" FUEL CYLINDERS "WORTHINGTON" FUEL CYLINDERS "DUPLEX" FUEL CYLINDERS
S12	INFLATION FANS
S13	JETSTREAM BURNER



Item #	Description	Part #
1	2MM HOPPER FLYING WIRE WITH MAILLON LINK PLEASE SPECIFY HEATSHRINK COLOUR - BLACK, BLUE OR RED	CB-1702-1000
2	4MM FLYING WIRE FOR MAILLON LINK - BLACK	CB-1440-0001
3	4MM FLYING WIRE FOR MAILLON LINK - BLUE	CB-1440-0002
4	4MM FLYING WIRE FOR MAILLON LINK - RED	CB-1440-0003
5	RIPSTOP NYLON - SPECIFY COLOUR	CE-5131-5180
6	SUPERLIGHT RIPSTOP NYLON - SPECIFY COLOUR	CE-3038-0000
7	HYPERLAST - SPECIFY COLOUR	CE-3391-5180
8	NOMEX - SPECIFY COLOUR	CE-1123-0000
9	CORDURA - SPECIFY COLOUR	CE-1172-0700
10	HEAVYWEIGHT CORDURA - BLACK ONLY	CE-1173-0001
11	ENVELOPE BAG PVC BASE FABRIC - BLACK ONLY	CE-1174-0001
12	20MM TAG TAPE - RED, ROYAL, GREEN OR YELLOW	CE-2020-4001
13	20MM FLAT POLYESTER WEBBING TAPE - WHITE	CE-2020-5001
14	20MM FLAT POLYESTER WEBBING TAPE - BLACK	CE-2020-5011
15	20MM POLYESTER WEBBING TAPE - WHITE	CE-2020-1101
16	20MM POLYESTER WEBBING TAPE - BLACK	CE-2020-2101
17	25MM FLAT TAPE - WHITE	CE-2025-1001
18	25MM FLAT TAPE - BLACK	CE-2025-2001
19	25MM POLYESTER TUBULAR WEBBING - WHITE	CE-2025-1101
20	25MM POLYESTER TUBULAR WEBBING - BLACK	CE-2025-2103
21	25MM HEAVYWEIGHT LOAD TAPE - WHITE	CE-2025-3001
22	45MM POLYESTER WEBBING - WHITE	CE-2045-1001
23	45MM POLYESTER WEBBING - BLACK	CE-2045-1002
24	20MM VELCRO - HOOK & LOOP - SPECIFY COLOUR	CE-3020-0001
25	25MM VELCRO SUPERHOOK - SPECIFY WHITE OR BLACK	CE-3025-1000
26	50MM VELCRO - HOOK & LOOP - SPECIFY WHITE OR BLACK	CE-3050-0002
27	3MM KEVLAR PARACHUTE LINE - YELLOW	CE-4103-0001
28	3MM POLYESTER PARACHUTE LINE - WHITE	CB-1504-0003
29	3.5MM TURNING VENT LINE - GREEN	CE-4135-0002
30	3.5MM TURNING VENT LINE - BLACK	CE-4135-0001
31	6MM KEVLAR LINE - BLACK	CE-4106-0001
32	6MM KEVLAR LINE - GREEN	CE-4106-0002
33	6MM POLYESTER BRAID ON BRAID - WHITE	CE-4106-0004
34	6MM KEVLAR RIPLINE - RED/WHITE	CE-4106-0003
35	8MM KEVLAR RIPLINE - RED	CE-4108-0001

Item #	Description	Part #
36	8MM KEVLAR RIPLINE - RED/WHITE	CE-4108-0005
37	8MM KEVLAR RIPLINE - BLACK/YELLOW	CE-4108-0006
38	8MM KEVLAR RIPLINE - WHITE	CE-4108-0007
39	8MM CROWNLINER - WHITE	CE-4108-0002
40	10MM CROWNLINER - WHITE	CE-4110-0002
41	10MM CROWNLINER - BLACK	CE-4110-0001
42	LOCKTOP SNAP SHACKLE	CB-0985-2673
43	SMALL ENVELOPE PULLEY	CE-4000-0002
44	ENVELOPE PULLEY WITH BECKET	CE-4000-0003
45	RDS PULLEY	CB-1504-0001
46	DOUBLE PULLEY BLOCK	CE-4000-0004
47	10MM XL BECKET PULLEY	CE-4000-0006
48	10MM XL PULLEY	CE-4000-0005
49	STAINLESS STEEL TURNING VENT PULLEY	CE-4000-0007
50	TURNING VENT LINE BULLET / CAPSULE	CB-1505-0000
51	HEATSHRINK CAPS FOR KEVLAR PARACHUTE LINE - GREY	CE-4103-0002
52	4MM X 40MM HEATSHRINK - RED OR BLACK	CB-0367-0005
53	5MM MAILLON LINK	CE-4103-0005
54	5MM TWISTED SHACKLE	CB-1601-0002
55	6MM TWISTED SHACKLE	CB-1601-0001
56	CABLE TIE FOR TWISTED SHACKLE	CB-1601-0003
57	TEMPERATURE FLAG, LINK & 2 X 3MM MAILLONS	CE-4260-1001
58	TEMPERATURE LINK ONLY	CE-4260-1002
59	TEMPERATURE LINK & 2 X 3MM MAILLONS	CE-4260-1005
60	TEMPERATURE FLAG	CE-4260-1003
61	3MM MAILLON LINK FOR USE WITH TEMPERATURE LINK	CE-4260-1004
62	TEMPILABEL	CE-4000-0001
63	THREAD - 3,500M PER REEL	CE-4300-1001
64	BARBOBS TYPE G - COMPLETE BOX = 50 BOBBINS CONTAINING 34M EACH	CE-4300-0002
65	NOMEX THREAD - NB: PRE-WOUND BARBOBS NOT AVAILABLE	CE-4300-0003
66	SCOOP SPRING HOOK	CE-4300-0007
67	SCOOP SHACKLE - SMALL - CONNECTS SCOOP TO ENVELOPE	CE-4300-0008
68	SCOOP SHACKLE - LARGE - CONNECTS SCOOP TO FRAME	CE-4300-0027
69	D RING - ALUMINIUM	CE-4300-0009
70	D RING - STAINLESS STEEL	CE-4300-0026
71	1" (25MM) RING - STAINLESS STEEL	CK-3000-0004



Item #	Description	Part #
72	SCOOP SPRINGS	CE-4300-0032
73	4MM PEAR-SHAPED MAILLON	CB-1504-0005
74	RDS SILICON O-RING	CB-1504-0006
75	40MM STAINLESS STEEL RING	CB-1504-0004
76	ENVELOPE RIPLOCK HOOK	CE-4300-0010
77	ENVELOPE LABEL	CE-4300-0011
78	ENVELOPE BAG LABEL - WOVEN - SPECIFY BALLOON TYPE & SIZE	CE-4300-0031
79	CROWLINE KARABINER - TOP (CONNECTS TO LOOPED TAPE ON CROWNRING)	CE-4300-0024
80	CROWLINE KARABINER - BOTTOM (NEAREST TO BASKET)	CE-4300-0025
81	ENVELOPE NUMBER LABELS	CE-4300-0040
82	STICKY-BACKED RIPSTOP NYLON FABRIC - WHITE	CE-7160-0011
83	STICKY-BACKED RIPSTOP NYLON FABRIC - BLACK	CE-7160-0012
84	STICKY-BACKED RIPSTOP NYLON FABRIC - PLEASE SPECIFY COLOUR	CE-7125-5198
85	STICKY-BACKED RIPSTOP NYLON FABRIC - GOLD OR SILVER	CE-7126-9996
86	REGISTRATION LETTERS - ONE SET	CE-8000-0000
87	ENVELOPE PROTECTOR WITH NUMBER AVAILABLE IN WHITE OR BLACK LOAD TAPE, WITH RED, BLACK OR BLUE TAB - PLEASE SPECIFY NUMBER	CB-0734-0001
88	ENVELOPE REPAIR TAPE - SUPPLIED IN 5M LENGTHS - SPECIFY COLOUR	CE-1000-0000
89	AMBERGLIDE PTFE LUBRICANT	CE-9000-0001
90	ENVELOPE BAG SNAP HOOK	CG-1000-1020
91	SCOOP SNAP HOOK	CG-1000-1022
92	GRAB TEST CLAMPS	CE-0000-0009
93	GRAB TEST SPRING BALANCE	CE-0000-0003
94	SEESAFE WINDOW TAPE	CA-0001-1087
95	SEESAFE WINDOW FABRIC	CA-0000-4055
96	2.5T KARABINER	CU-9820-0003
97	4T KARABINER	CU-9825-0001
98	5T KARABINER	CU-9780-0001
99	HOPPER ENVELOPE KARABINER	CU-9820-0001
100	KARABINER TIDY - 4 PER PACKET	CU-9500-0004
101	LARGE HEATSHRINK - CROWLINE - BLACK	CB-0379-0009
102	3MM HEATSHRINK - RDS - BLACK	CB-1504-0008
103	BONANNO QUICK RELEASE	CB-9000-0005
104	V BRIDLE WITH RINGS	CB-6043-3000
105	50M TETHER LINE	CE-4114-0002

## Envelope Components & Accessories



## Envelope Components & Accessories

<p>21</p> <p>25mm</p>  <p>CE-2025-3001 White Only</p>	<p>22</p> <p>45mm</p>  <p>CB-2045-1001 White Only</p>	<p>23</p> <p>45mm</p>  <p>CE-2045-1002 Black Only</p>	<p>24</p> <p>20mm</p>  <p>CE-3020-0001 A variety of colours available</p>	<p>25</p> <p>25mm SUPERHOOK</p>  <p>CE-3025-1000 Available in Black or White</p>	<p>26</p> <p>50mm Velcro</p>  <p>CE-3050-0002 Available in Black or White</p>	<p>27</p> <p>3mm</p>  <p>CE-4103-0001</p>	<p>28</p> <p>3mm</p>  <p>CB-1504-0003</p>	<p>29</p> <p>3.5mm</p>  <p>Lower Turning Vent line CE-4135-0002</p>
<p>30</p> <p>3.5mm</p>  <p>Lower Turning Vent line CE-4135-0001</p>	<p>31</p> <p>6mm</p>  <p>Turning Vent line CE-4106-0001</p>	<p>32</p> <p>6mm</p>  <p>Turning Vent line CE-4106-0002</p>	<p>33</p> <p>6mm</p>  <p>Bag Rope CE-4106-0004</p>	<p>34</p> <p>6mm</p>  <p>Ripline CE-4106-0003</p>	<p>35</p> <p>8mm</p>  <p>Ripline CE-4108-0001</p>	<p>36</p> <p>8mm</p>  <p>Ripline CE-4108-0005</p>	<p>37</p> <p>8mm</p>  <p>CE-4108-0006</p>	<p>38</p> <p>8mm</p>  <p>CE-4108-0007</p>
<p>39</p> <p>8mm</p>  <p>Crownline CE-4108-0002</p>	<p>40</p> <p>10mm</p>  <p>Crownline CE-4110-0002</p>	<p>41</p> <p>10mm</p>  <p>CE-4110-0001</p>	<p>42</p>  <p>CB-0985-2673</p>	<p>43</p>  <p>CE-4000-0002</p>	<p>44</p>  <p>CE-4000-0003</p>	<p>45</p>  <p>CB-1504-0001</p>	<p>46</p>  <p>CE-4000-0004</p>	<p>47</p>  <p>10mm CE-4000-0006</p>
<p>48</p> <p>10mm</p>  <p>CE-4000-0005</p>	<p>49</p>  <p>CE-4000-0007</p>	<p>50</p>  <p>CB-1505-0000</p>	<p>51</p>  <p>CE-4103-0002</p>	<p>52</p>  <p>CB-0367-0005 Black or Red</p>	<p>53</p> <p>5mm</p>  <p>CE-4103-0005</p>	<p>54</p> <p>5mm</p>  <p>CB-1601-0002</p>	<p>55</p> <p>6mm</p>  <p>CB-1601-0001</p>	<p>56</p>  <p>CB-1601-0003</p>
<p>57</p>  <p>CE-4260-1001</p>	<p>58</p>  <p>CE-4260-1002</p>	<p>59</p>  <p>CE-4260-1005</p>	<p>60</p>  <p>CE-4260-1003</p>	<p>61</p> <p>3mm</p>  <p>CE-4260-1004</p>	<p>62</p>  <p>CE-4000-0001</p>	<p>63</p>  <p>CE-4300-1001</p>	<p>64</p>  <p>CE-4300-0002</p>	<p>65</p>  <p>CE-4300-0003</p>

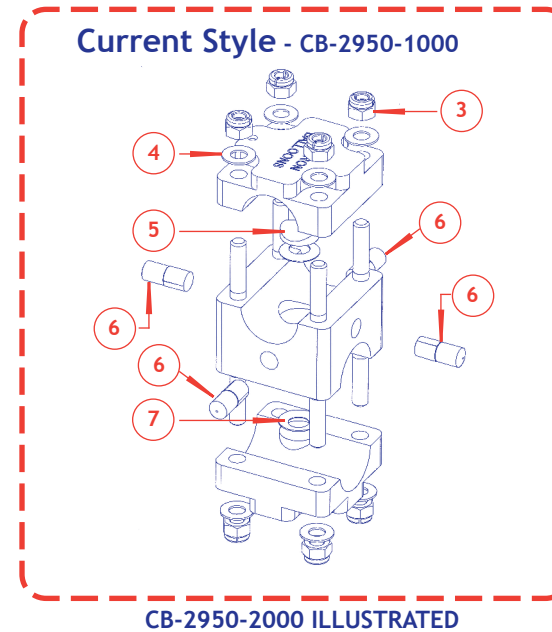
## Envelope Components & Accessories

<p>66</p>  <p>CE-4300-0007</p>	<p>67</p>  <p>CE-4300-0008</p>	<p>68</p>  <p>CE-4300-0027</p>	<p>69</p>  <p>CE-4300-0009 Aluminium</p>	<p>70</p>  <p>CE-4300-0026 Stainless Steel</p>	<p>71</p> <p>25mm</p>  <p>CK-3000-0004</p>	<p>72</p>  <p>CE-4300-0032</p>	<p>73</p> <p>4mm</p>  <p>CB-1504-0005</p>	<p>74</p>  <p>CB-1504-0006</p>
<p>75</p> <p>40mm</p>  <p>CB-1504-0004</p>	<p>76</p>  <p>CE-4300-0010</p>	<p>77</p>  <p>CE-4300-0011 Please Specify Type &amp; Size</p>	<p>78</p>  <p>CE-4300-0031</p>	<p>79</p>  <p>CE-4300-0024</p>	<p>80</p>  <p>CE-4300-0025</p>	<p>81</p>  <p>CE-4300-0040</p>	<p>82</p>  <p>CE-7160-0011</p>	<p>83</p>  <p>CE-7160-0012</p>
<p>84</p>  <p>CE-7125-5198</p>	<p>85</p>  <p>CE-7126-9996</p>	<p>86</p> <p>G-ABCD</p> <p>CE-8000-0000 One Set</p>	<p>87</p>  <p>CB-0734-0001 Also available in Black Tape</p>	<p>88</p>  <p>CE-1000-0000 Supplied in 5m lengths</p>	<p>89</p>  <p>CE-9000-0001 Air Freight Restrictions Apply</p>	<p>90</p> <p>For Envelope Bag</p>  <p>CG-1000-1020</p>	<p>91</p> <p>For Scoop</p>  <p>CG-1000-1022</p>	<p>92</p>  <p>CE-0000-0009</p>
<p>93</p>  <p>CE-0000-0003</p>	<p>94</p>  <p>CA-0001-1087</p>	<p>95</p>  <p>CA-0000-4055</p>	<p>96</p> <p>2.5t</p>  <p>CU-9820-0003</p>	<p>97</p> <p>4t</p>  <p>CU-9825-0001</p>	<p>98</p> <p>5t</p>  <p>CU-9780-0001</p>	<p>99</p> <p>Hopper</p>  <p>CU-9820-0001</p>	<p>100</p>  <p>CU-9500-0004</p>	<p>101</p>  <p>CB-0367-0009</p>
<p>102</p> <p>3mm</p>  <p>CB-1504-0008</p>	<p>103</p>  <p>CB-9000-0005</p>	<p>104</p>  <p>CB-6043-3000</p>	<p>105</p>  <p>CE-4114-0002</p>					



Item #	Description	Part #
1	<b>CAMERON</b> GIMBAL BLOCK ASSEMBLY (DOUBLE)	CB-2950-2000
2	<b>CAMERON</b> GIMBAL BLOCK ASSEMBLY (TRIPLE/QUAD)	CB-2950-1000
3	M8 AEROTIGHT NUT, STAINLESS STEEL	CY-0008-1004
4	M8 PLAIN WASHER, STAINLESS STEEL	CY-0008-2008
5	GIMBAL BLOCK WEAR PAD	CB-8626-0000
6	GIMBAL BLOCK STUD, DOWEL PIN M10 X 26	CB-8570-0000
7	GIMBAL BLOCK SPRING DISC WASHER - USE ON CURRENT & OLD STYLE	CB-8603-0000
8	M6 X 16 CAP HEAD BOLT HEX SOCKET - FOR OLD STYLE CB2556 GIMBAL	CY-0005-3016
9	M5 SPRING WASHER - FOR OLD STYLE CB2556 GIMBAL	CY-0005-2007
10	FRAME - POLE SOCKETS - FLEXI CORNER	CB-0211-0000
11	FLEXICORNER NYLON BUSHES	CB-0212-2000
12	FLEXICORNER FASTENER KIT	CU-1006-4050
13	FRAME - BOLT/NUT/WASHER	CU-1008-0065
14	SADDLE - Ø19mm TUBE (PLEASE SPECIFY - 4.76, 6.35, 11.11 OR 15.9mm) Ø25mm TUBE (PLEASE SPECIFY - 4.76, 6.35 OR 11.11mm)	CB-0543-0004
15	BRASS SPACERS - Ø19mm TUBE (PLEASE SPECIFY - 1.5mm, 3mm, 5mm, 6.5mm OR 8mm) Ø25mm TUBE (PLEASE SPECIFY - 1.5mm, 3mm, 5mm, 6.5mm OR 8mm)	CB-0735-0001
16	ADJUSTABLE FRAME KNOB	CB-0856-0004
17	SADDLE - OUTER	CB-2068-2000
18	SADDLE - INNER	CB-2068-1000
19	GAS STRUT - SINGLE	CB-2224-0003
20	GAS STRUT - DOUBLE	CB-2204-0003
21	HEATSHIELD SCREW	CB-3142-0001
22	HEATSHIELD WASHER	CB-3142-0002
23	ADJUSTABLE FRAME BOLT	CB-2891-0000
24	ADJUSTABLE FRAME LEVER	CB-2204-0004
25	STRUT PIVOT PIN	CB-8886-0000
26	FRICITION DISC Ø19mm OR Ø25mm (PLEASE SPECIFY)	CB-0551-0002
27	LOCTITE SCREW LOCK 222 - 10ml	CU-0000-0001
28	LOCTITE NUT LOCK 243 - 10ml	CU-0000-0003
29	LOCTITE 270 - 10ml	CU-0000-0002
30	LEAK DETECTING SOLUTION - DELIVERY RESTRICTIONS MAY APPLY	CU-0000-0004
31	SILIGLIDE AEROSOL - DELIVERY RESTRICTIONS MAY APPLY	CU-0000-0005
32	LOCTITE 572 - 50ml	CU-0000-0006
33	CAMERON KSP125 - 10 GRAM SYRINGE	CU-0000-0010
34	CAMERON KSP125 - 50 GRAM SYRINGE	CU-0000-0050
35	PTFE TAPE	CU-0000-0007
36	PTFE PASTE	CU-0000-0008
37	8MM CIRCLIP	CU-2204-0011
38	LONG SEAL BULLET TOOL - FOR INSTALLATION OF 'O RINGS' ONTO STEM	CB-2348-6000
39	SHORT SEAL BULLET TOOL - FOR INSTALLATION OF 'O RINGS' ONTO STEM	CB-2348-7000
40	SADDLE	CB-8854-0000

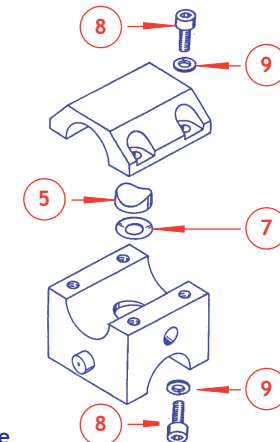
## Gimbal Block Assembly



### Current Style

4x **6** Triple / Quad

2x **6** Double



### Old Style

No longer available  
Main Body & Caps Superseded

## Gimbal Block Assembly and Frame Accessories

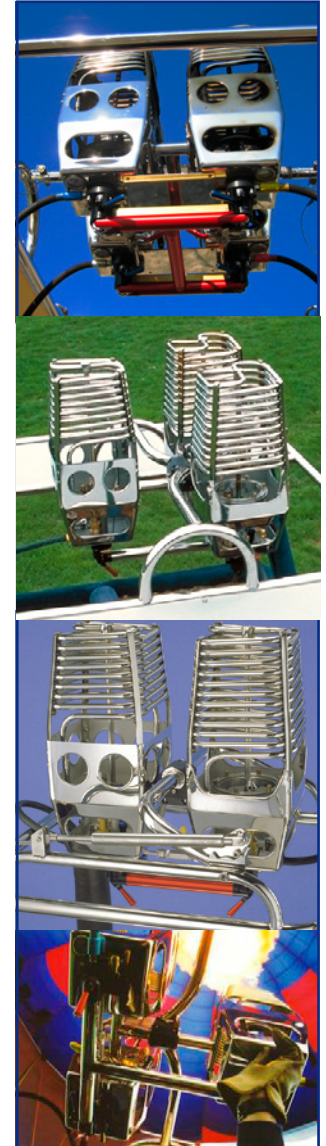
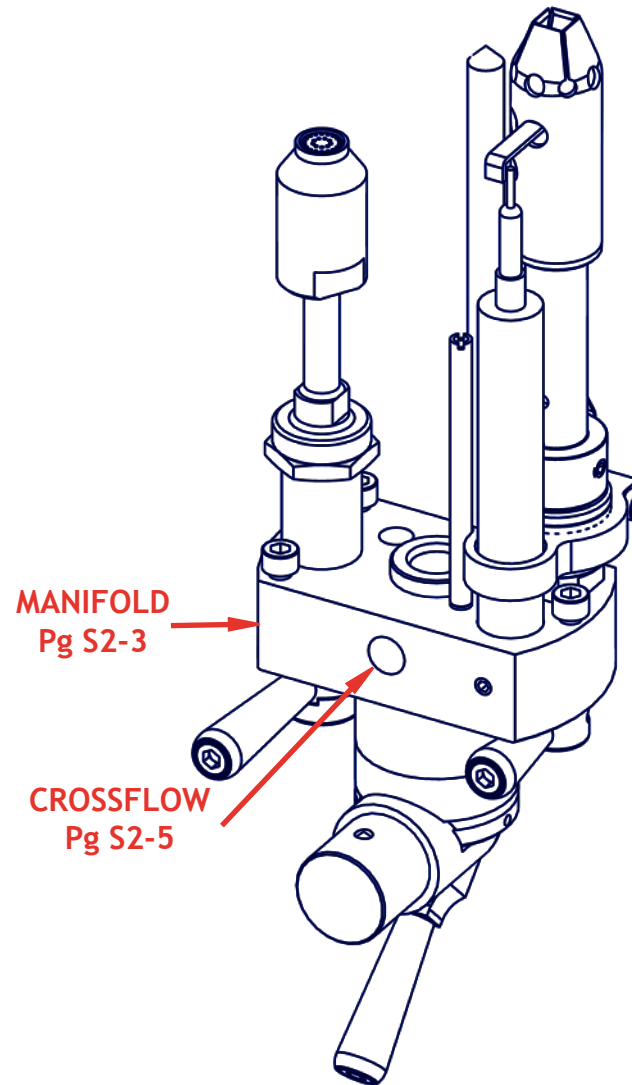
 <p>1 CB-2950-2000 (DOUBLE)</p>	 <p>2 CB-2950-1000 (TRIPLE/QUAD)</p>	 <p>3 CY-0008-1004</p>	 <p>4 CY-0008-2008</p>	 <p>5 CB-8626-0000</p>	 <p>6 CB-8570-0000</p>	 <p>7 CB-8603-0000</p>	 <p>8 CY-0005-3016</p>	 <p>9 CY-0005-2007</p>
		 <p>10 CB-0211-0000</p>	 <p>11 CB-0212-2000</p>	 <p>12 CU-1006-4050</p>	 <p>13 CU-1008-0065</p>	 <p>14 CB-0543-0004 PLEASE SPECIFY TUBE Ø</p>	 <p>15 CB-0735-0001 PLEASE SPECIFY TUBE Ø</p>	 <p>16 CB-0856-0004</p>
 <p>17 CB-2068-2000 OUTER</p>	 <p>18 CB-2068-1000 INNER</p>	 <p>19 CB-2224-0003</p>	 <p>20 CB-2204-0003</p>	 <p>21 CB-3142-0001</p>	 <p>22 CB-3142-0002</p>	 <p>23 CB-2891-0000</p>	 <p>24 CB-2204-0004</p>	 <p>25 CB-8886-0000</p>
 <p>26 CB-0551-0002 PLEASE SPECIFY TUBE Ø</p>	 <p>27 CU-0000-0001</p>	 <p>28 CU-0000-0003</p>	 <p>29 CU-0000-0002</p>	 <p>30 CU-0000-0004 Delivery Restriction apply</p>	 <p>31 CU-0000-0005 Delivery Restrictions apply</p>	 <p>32 CU-0000-0006</p>	 <p>33 CU-0000-0010</p>	 <p>34 CU-0000-0050</p>
 <p>35 CU-0000-0007</p>	 <p>36 CU-0000-0008</p>	 <p>37 CU-2204-0011</p>	 <p>38 CB-2438-6000 PLEASE SPECIFY BURNER &amp; APPLICATOR</p>	 <p>39 CB-2438-7000 PLEASE SPECIFY BURNER &amp; APPLICATOR</p>	 <p>40 CB-8854-0000 INNER</p>			

Item #	Description	Part #
1	AMAL MAIN JET	CB-0214-0003
2	COPPER WASHER	CB-0214-0006
3	3/8 BSP SEALING RING	CB-0392-0021
4	3/8 BSP SEAL	CB-0392-0022
8	MULTI HOLE MAIN JET	CB-0923-0001
9	DOUBLE MANIFOLD GASKET	CB-2005-0020
10	SHADOW / STEALTH BURNER MANIFOLD (RIGHT HAND)	CB-2006-1000
11	SHADOW / STEALTH BURNER MANIFOLD (LEFT HAND)	CB-2006-2000
12	SHADOW / STEALTH BURNER INNER FOIL	CB-2009-0020
13	SHADOW / STEALTH BURNER OUTER FOIL	CB-2009-0021
15	PIEZOELECTRIC IGNITION ASSEMBLY	CB-2011-0001
17	BLAST VALVE HANDLE ASSEMBLY - INC. HANDLE, CAM & SCREW (RED)	CQ-2022-0000
18	WHISPER VALVE HANDLE ONLY (BLUE)	CB-2015-2000
19	PILOT VALVE HANDLE ONLY (GOLD)	CB-2015-3000
20	SLEEVE	CB-2015-4000
22	UPPER CAM (INCLUDES INNER WASHER - RIGHT HAND)	CB-2016-1000
23	UPPER CAM (INCLUDES INNER WASHER - LEFT HAND)	CB-2016-2000
24	LOWER CAM (RIGHT HAND)	CB-2016-3000
25	LOWER CAM (LEFT HAND)	CB-2016-4000
26	WHISPER VALVE LOWER BODY	CB-2017-0000
28	WHISPER VALVE UPPER BODY	CB-2018-2019
29	WHISPER VALVE STEM	CB-2020-0000
30	PILOT LIGHT CAM (RIGHT HAND)	CB-2021-1000/3000
31	PILOT LIGHT CAM (LEFT HAND)	CB-2021-2000/4000
32	PILOT LIGHT VALVE STEM	CB-2022-0000
35	REGULATOR ASSEMBLY (STANDARD)	CB-2026-0000
36	COVER STRIP & SCREW	CB-2026-0002
38	BLAST VALVE STEM ASSEMBLY	CB-2029-0000
42	BLANKING PLUG (INCLUDES SEAL - SEE ITEM 92)	CB-2033-0000
43	HANDLE END CAP	CB-2034-0000
46	STEALTH JET RING NUT & STUD	CB-2040-0000
47	VAPOUR ADAPTOR	CB-2047-0001

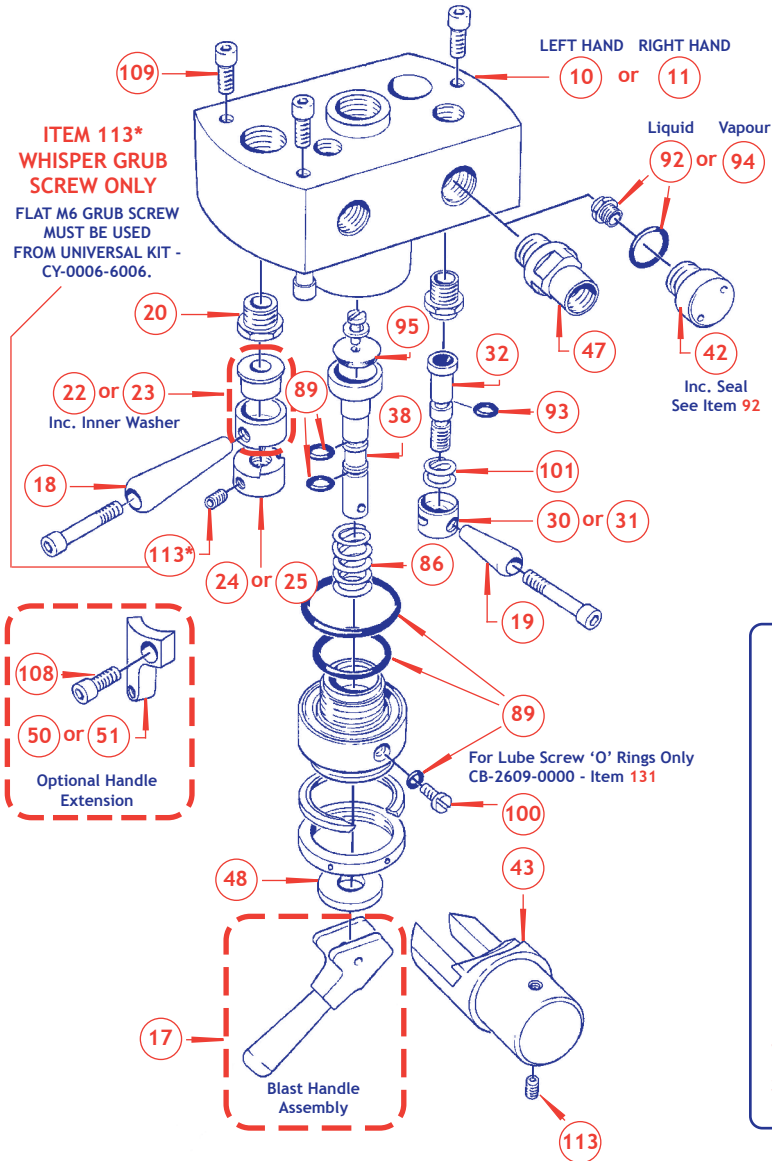
Item #	Description	Part #
48	FRICITION WASHER	CB-2048-1001
49	VAPOUR SPACER TUBE	CB-2069-0001
50	WHISPER HANDLE EXTENSION (LEFT HAND)	CB-2134-0001
51	WHISPER HANDLE EXTENSION (RIGHT HAND)	CB-2134-0002
52	LEAK DUCT TUBE	CB-2140-0000
55	SHADOW / STEALTH COIL	CB-2193-1000
56	SHADOW COIL (NO JETS - PLEASE SPECIFY RH OR LH)	CB-2209-2000
57	SHADOW CAN (RIGHT HAND)	CB-2209-2001
58	SHADOW CAN (LEFT HAND)	CB-2209-2002
59	DOUBLE BURNER HANDLE	CB-2210-0000
62	DOUBLE BURNER BRACKET	CB-2212-0000
63	M6 HEX HEAD BOLT GIMBAL	CB-2213-0000
64	TRIPLE BURNER BRACKET	CB-2216-0000
65	STEALTH CAN (RIGHT HAND/GIMBAL)	CB-2238-2001
66	STEALTH CAN (LEFT HAND/GIMBAL)	CB-2238-2002
67	TRIPLE BURNER HANDLE	CB-2249-0000
68	QUAD BURNER BRACKET	CB-2252-0000
69	QUAD BURNER HANDLE	CB-2253-0000
70	DOUBLE BURNER CROSSFLOW (COMPLETE)	CB-2290-0000
72	1/4" BSP SEALING RING	CB-2290-2001
73	1/4" BSP SEAL	CB-2290-2002
78	VAPOUR FILTER SPRING	CU-4873-5000
80	LIQUID REGULATOR HEATER	CB-2434-0000
81	REGULATOR (COMPLETE ASSEMBLY - MOD C298)	CB-2429-0000
84	PRESSURE GAUGE TAKE-OFF FITTINGS	CB-2472-0000
86	BLAST VALVE SPRING	CU-7553-0009
87	PILOT LIGHT FLAME TUBE ASSY (RIGHT HAND)	CB-2530-1000
88	PILOT LIGHT FLAME TUBE ASSY (LEFT HAND)	CB-2530-2000
89	BLAST VALVE SERVICE KIT	CB-2601-0000
90	WHISPER VALVE SERVICE KIT	CB-2602-0000
91	LIQUID PILOT LIGHT JET KIT	CB-2603-0000
92	LIQUID PILOT LIGHT REGULATOR SERVICE KIT	CB-2604-0000



Item #	Description	Part #
93	LIQUID PILOT LIGHT VALVE STEM SERVICE KIT	CB-2605-0000
94	VAPOUR PILOT LIGHT SERVICE KIT	CB-2606-0000
95	BLAST VALVE MAIN SEAL KIT	CB-2607-0000
96	WHISPER/CROSSFLOW REPAIR KIT	CB-2612-0000
98	STEALTH/SHADOW PRESSURE GAUGE	CU-2948-5000
99	PRESSURE GAUGE GASKET	CU-2948-5001
100	MAIN VALVE LUBE SCREW	CU-4871-8000
101	PILOT VALVE SPRING	CU-4872-4000
105	M5 x 16 RAISED CSK HEAD (SLOTTED)	CY-0005-5016
106	M5 x 6 GRUB SCREW HEX SOCKET	CY-0005-6006
107	M6 AEROTIGHT NUT	CY-0006-1004
108	M6 x 10 CAP HEAD BOLT HEX SOCKET	CY-0006-3010
109	M6 X 16 CAP HEAD BOLT HEX SOCKET	CY-0006-3016
113	2 x M6 x 6 GRUB SCREW HEX SOCKET - FLAT	CY-0006-6006
114	2 x M6 x 6 GRUB SCREW HEX SOCKET - POINTED	CY-1006-6006
<p>USE EITHER FLAT OR POINTED M6 GRUB SCREW DEPENDANT ON IGNITER TYPE.            INCORRECT SCREW WILL RESULT IN EXCESSIVE MOVEMENT OF IGNITER.</p>		
119	PRESSURE GAUGE (SINGLE BURNER)	CB-2130-0001
120	SINGLE HANDLE END CAP (RED)	CB-2139-0001
121	SINGLE MANIFOLD GASKET	CB-2135-0018
122	SINGLE HANDLE END CAP (GREEN)	CB-2139-0002
123	BURNER TOOL KIT - SPANNER	CB-2438-1000
131	LUBE SCREW 'O' RINGS - 5 PACK	CB-2609-0000
132	SLURPER - CURVED (SINGLE)	CB-2138-2000
133	SLURPER - STRAIGHT (DOUBLE/TRIPLE/QUAD)	CB-2138-1000
<p><b>CROSSFLOW - ** ALL ITEMS BELOW FOR SQUEEZE ACTION HANDLE ONLY</b>            (FOR NON-SQUEEZE ACTION DOUBLE BURNERS - SEE ITEM 70)</p>		
124	CROSSFLOW TUBE - STRAIGHT (TRIPLE/QUAD)	CB-2334-0000
125	CROSSFLOW TUBE - CURVED (TRIPLE/QUAD)	CB-2336-0000
126	CROSSFLOW VALVE	CB-8598-0000
127	BANJO BOLT	CB-2335-0000
128	COPPER WASHER	CB-2344-0004
129	TRIPLE CROSSFLOW ASSEMBLY (COMPLETE)	CB-2324-0000



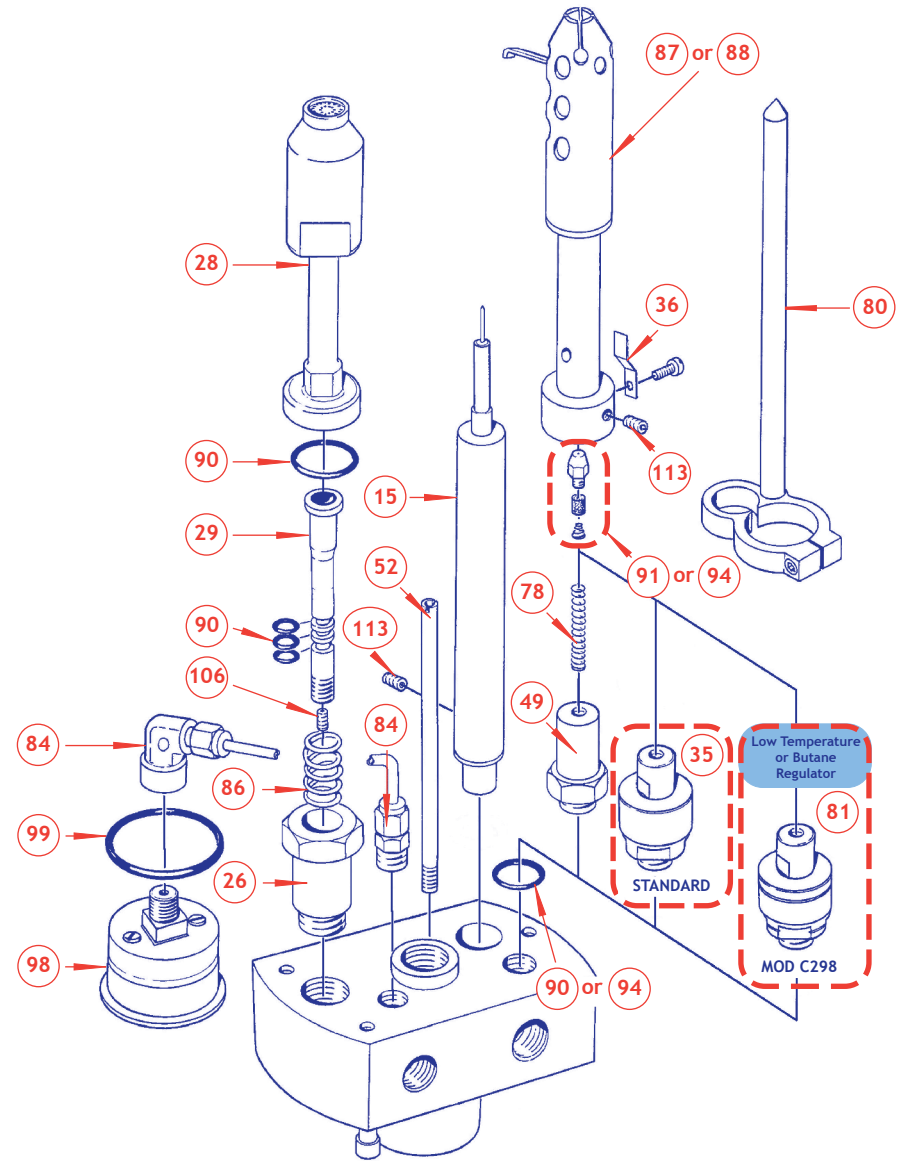
## Double/Triple/Quad Valve & Manifold Fittings



### NOTES:

#### SEAL KIT ITEMS

- 89 = CB-2601-0000
- 90 = CB-2602-0000
- 91 = CB-2603-0000 (Liquid)
- 93 = CB-2605-0000
- 95 = CB-2607-0000
- 92 = Part of CB-2604-0000 or CB-2606-0000 (Vapour)
- 84 = CB-2472-0000 (Stainless Steel Kit) DO NOT MIX WITH BRASS
- 123 = Burner Tool Kit - Red Spanner
- 131 = Lube Screw 'O' Rings - CB-2609-0000
- 35 & 81 = Internal 'O' Rings within item 92

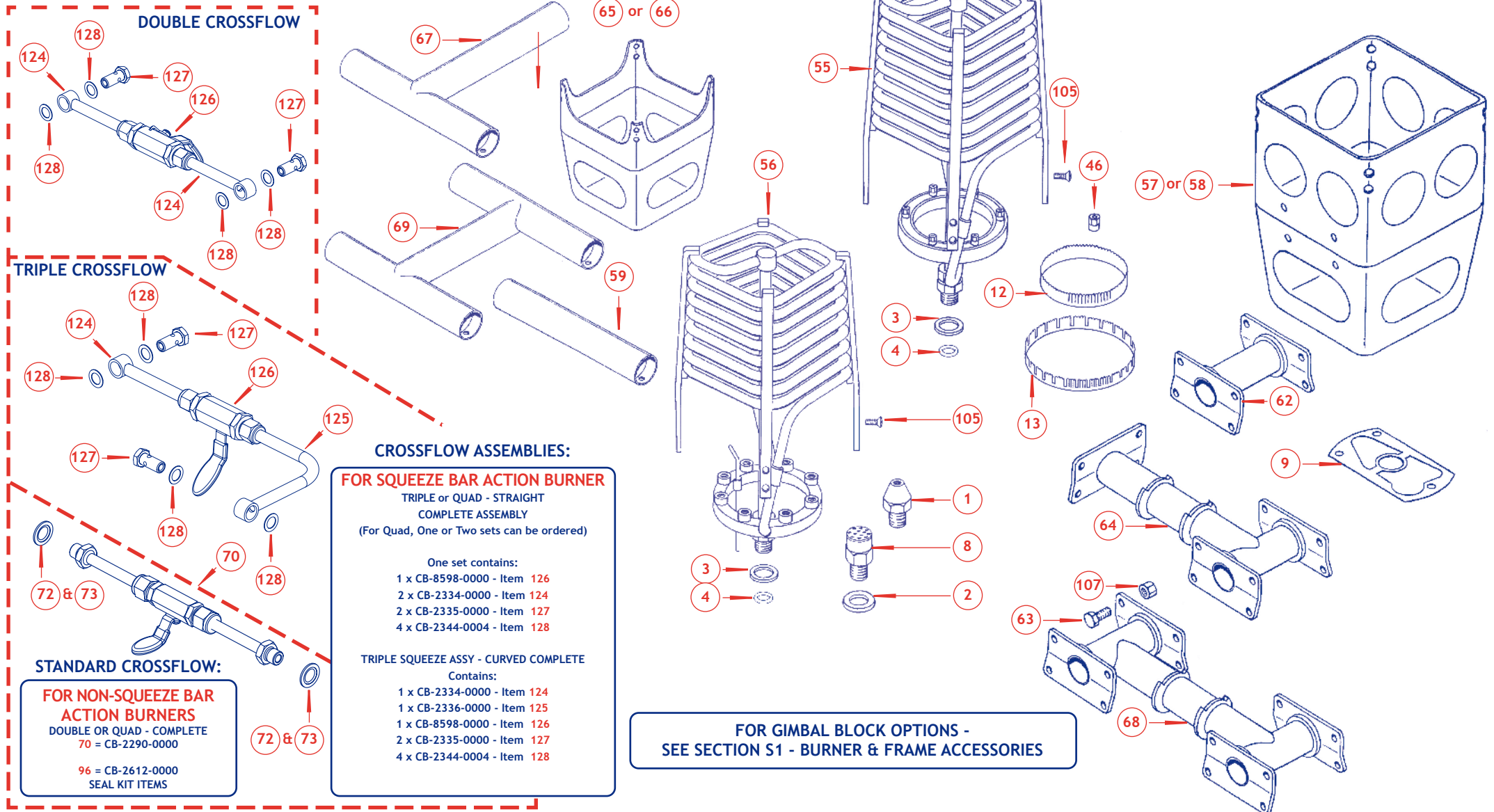


## Double/Triple/Quad Valve & Manifold Fittings

 <b>10</b> CB-2006-2000 (LH)	 <b>11</b> CB-2006-1000 (RH)	 <b>15</b> CB-2011-0001		 <b>17</b> CQ-2022-0000 (RED)	 <b>18</b> CB-2015-2000 (BLUE)	 <b>19</b> CB-2015-3000 (GOLD)	 <b>20</b> CB-2015-4000	 <b>22</b> CB-2016-1000 (RH) (INC. INNER WASHER)
 <b>23</b> CB-2016-2000 (LH) (INC. INNER WASHER)	 <b>24</b> CB-2016-3000 (RH)	 <b>25</b> CB-2016-4000 (LH)	 <b>26</b> CB-2017-0000	 <b>28</b> CB-2018-2019	 <b>29</b> CB-2020-0000	 <b>30</b> CB-2021-1000 (RH)	 <b>31</b> CB-2021-2000 (LH)	 <b>32</b> CB-2022-0000
 <b>35</b> CB-2026-0000 (STANDARD) FOR MOD C298, SEE ITEM 81	 <b>36</b> CB-2026-0002	 <b>38</b> CB-2029-0000	 <b>42</b> CB-2033-0000	 <b>43</b> CB-2034-0000	 <b>47</b> CB-2047-0001	 <b>48</b> CB-2048-1001	 <b>49</b> CB-2069-0001	 <b>50</b> CB-2134-0001 (LH)
 <b>51</b> CB-2134-0002 (RH)	 <b>52</b> CB-2140-0000	 <b>78</b> CU-4873-5000	 <b>80</b> CB-2434-0000	 <b>81</b> CB-2429-0000 (MOD C298) FOR STANDARD, SEE ITEM 35	 <b>84</b> CB-2472-0000 DO NOT MIX WITH BRASS	 <b>86</b> CU-7553-0009	 <b>87</b> CB-2530-1000 (RH)	 <b>88</b> CB-2530-2000 (LH)
 <b>89</b> CB-2601-0000 BLAST VALVE KIT	 <b>90</b> CB-2602-0000 WHISPER KIT	 <b>91</b> CB-2603-0000 LIQUID PILOT LIGHT KIT	 <b>92</b> CB-2604-0000 LIQUID PILOT LIGHT REGULATOR KIT	 <b>93</b> CB-2605-0000 LIQUID PILOT VALVE STEM KIT	 <b>94</b> CB-2606-0000 VAPOUR PILOT LIGHT SERVICE KIT	 <b>95</b> CB-2607-0000 BLAST VALVE KIT	 <b>98</b> CU-2948-5000	 <b>99</b> CU-2948-5001
 <b>100</b> CU-4871-8000	 <b>101</b> CU-4872-4000	 <b>106</b> CY-0005-6006	 <b>108</b> CY-0006-3010	 <b>109</b> CY-0006-3016	 <b>113</b> CY-0006-6006 FLAT	 <b>114</b> CY-1006-6006 POINTED	 <b>123</b> CB-2438-1000	 <b>131</b> CB-2609-0000 LUBE SCREW 'O' RINGS



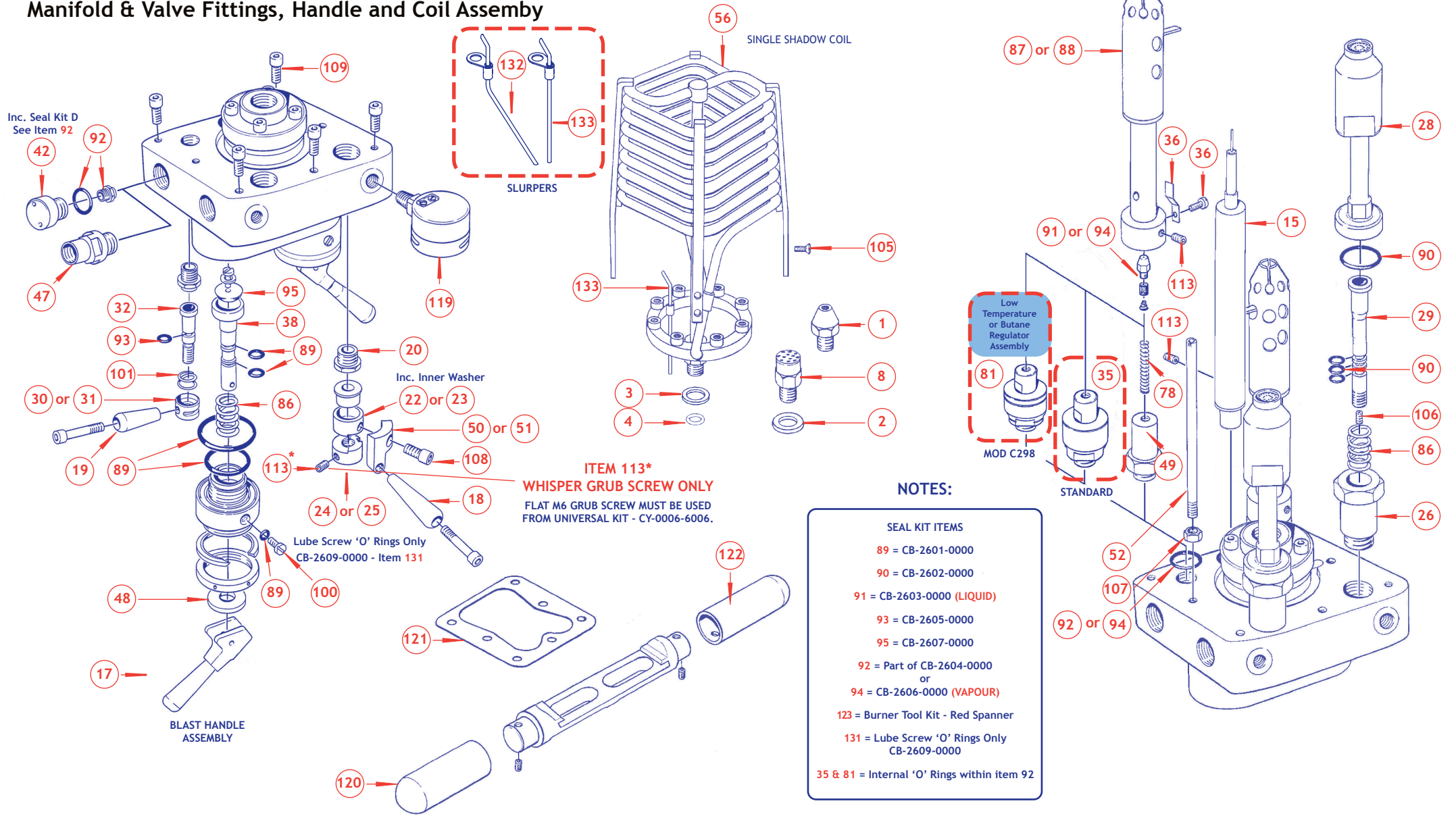
## Can, Mounting, Crossflow, Handles, Cans, Coils, Jets & Foils



## Can, Mounting, Crossflow, Handles, Cans, Coils, Jets & Foils

 1 CB-0214-0003	 2 CB-0214-0006	 3 CB-0392-0021	 4 CB-0392-0022	 8 CB-0923-0001	 9 CB-2005-0020	 12 CB-2009-0020 INNER	 13 CB-2009-0021 OUTER	 46 CB-2040-0000
 55 CB-2193-1000 SPECIFY LH OR RH	 56 CB-2209-2000 (NO JETS) SPECIFY LH OR RH	 57 CB-2209-2001 (RH)	 58 CB-2209-2002 (LH)	 59 CB-2210-0000	 62 CB-2212-0000	 63 CB-2213-0000	 64 CB-2216-0000	
 65 CB-2238-2001 (RH/GIMBAL)	 66 CB-2238-2002 (LH/GIMBAL)	 67 CB-2249-0000	 68 CB-2252-0000	 69 CB-2253-0000	 70 CB-2290-0000 DOUBLE	 72 CB-2290-2001	 73 CB-2290-2002	
 96 CB-2612-0000 WHISPER/CROSSFLOW	 105 CY-0005-5016	 107 CY-0006-1004	 124 CB-2334-0000 SQUEEZE ACTION ONLY	 125 CB-2336-0000 TRIPLE BURNER - CURVED SQUEEZE ACTION ONLY	 126 CB-8598-0000 SQUEEZE ACTION ONLY	 127 CB-2335-0000 SQUEEZE ACTION ONLY	 128 CB-2344-0004 SQUEEZE ACTION ONLY	 129 CB-2324-0000 TRIPLE
 132 CB-2138-2000 SINGLE - CURVED	 133 CB-2138-1000 DOUBLE/TRIPLE/QUAD - STRAIGHT							

## Manifold & Valve Fittings, Handle and Coil Assembly



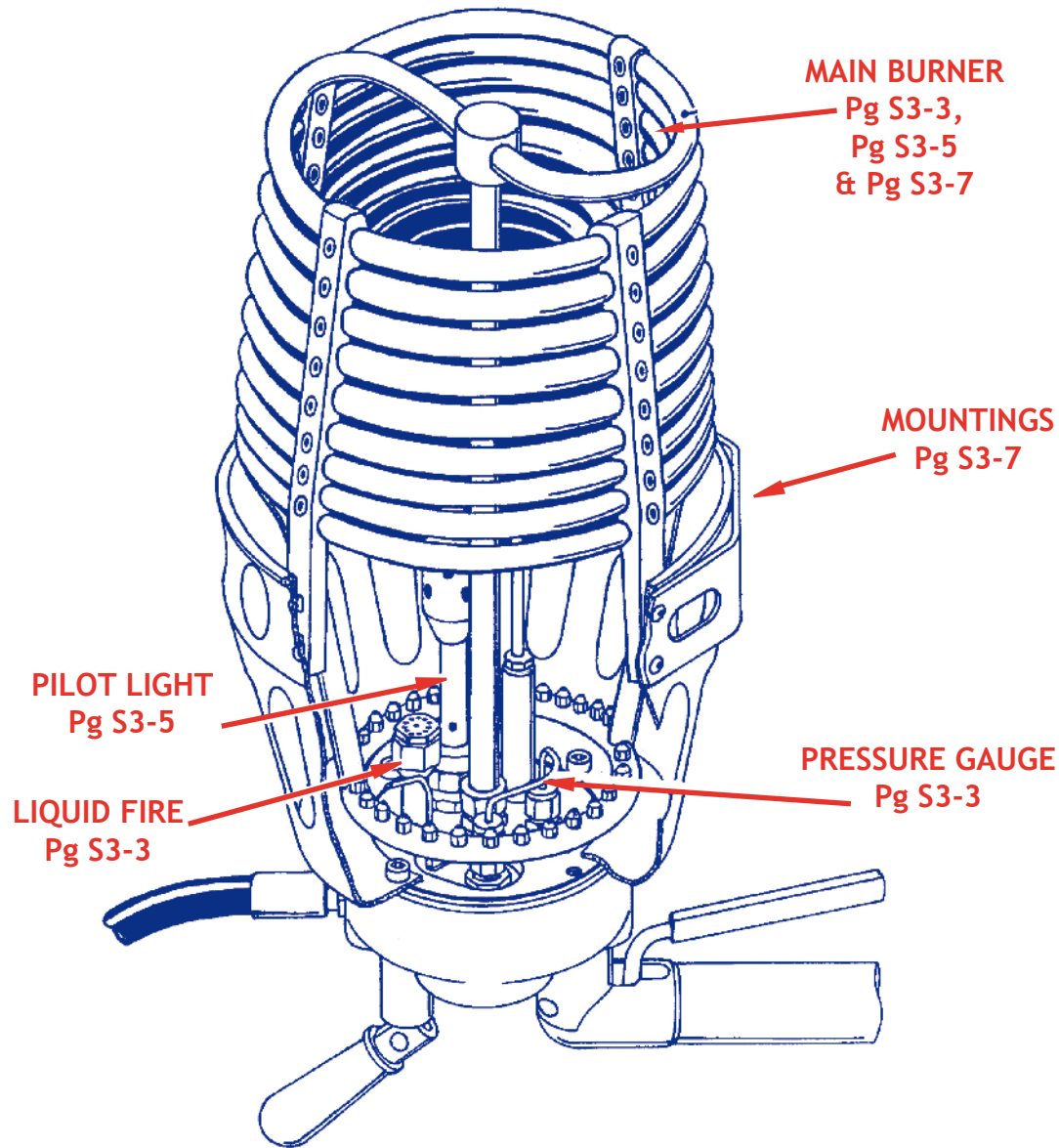


## Manifold & Valve Fittings, Handle and Coil Assembly

 1 CB-0214-0003	 2 CB-0214-0006	 3 CB-0392-0021	 4 CB-0392-0022	 8 CB-0923-0001	 15 CB-2011-0001		 17 CQ-2022-0000 (RED)	 18 CB-2015-2000 (BLUE)	 19 CB-2015-3000 (GOLD)
 20 CB-2015-4000	 22 CB-2016-1000 (RH) (INC. INNER WASHER)	 23 CB-2016-2000 (LH) (INC. INNER WASHER)	 24 CB-2016-3000 (RH)	 25 CB-2016-4000 (LH)	 26 CB-2017-0000	 28 CB-2018-2019	 29 CB-2020-0000	 30 No Stock CB-2021-3000 (RH)	 31 No Stock CB-2021-4000 (LH)
 32 CB-2022-0000	 35 CB-2026-0000 (STANDARD) FOR MOD C298, SEE ITEM 81	 36 CB-2026-0002	 38 CB-2029-0000	 42 CB-2033-0000	 47 CB-2047-0001	 48 CB-2048-0001	 49 CB-2069-0001	 50 CB-2134-0001 (LH)	 51 CB-2134-0002 (RH)
 52 CB-2140-0000	 56 CB-2209-2000 (NO JETS)	 78 CU-4873-5000	 81 CB-2429-0000 (MOD C298) FOR STANDARD, SEE ITEM 35	 86 CU-7553-0009	 87 CB-2530-1000 (RH)	 88 CB-2530-2000 (LH)	 89 CB-2601-0000 BLAST VALVE KIT	 90 CB-2602-0000 WHISPER KIT	 91 CB-2603-0000 LIQUID PILOT LIGHT KIT
 92 CB-2604-0000 LIQUID PILOT LIGHT REGULATOR KIT	 93 CB-2605-0000 LIQUID PILOT VALVE STEM KIT	 94 CB-2606-0000 VAPOUR PILOT LIGHT SERVICE KIT	 95 CB-2607-0000 BLAST VALVE KIT	 100 CU-4871-8000	 101 CU-4872-4000	 105 CY-0005-5016	 106 CY-0005-6006	 107 CY-0006-1004	 108 CY-0006-3010
 109 CY-0006-3016	 113 FLAT CY-0006-6006	 114 POINTED CY-1006-6006	 119 CB-2130-0001	 120 CB-2139-0001 (RED)	 121 CB-2135-0018	 122 CB-2139-0002 (GREEN)	 123 CB-2438-1000	 131 CB-2609-0000 LUBE SCREW 'O' RINGS	 133 CB-2138-1000 DOUBLE/TRIPLE/QUAD - STRAIGHT

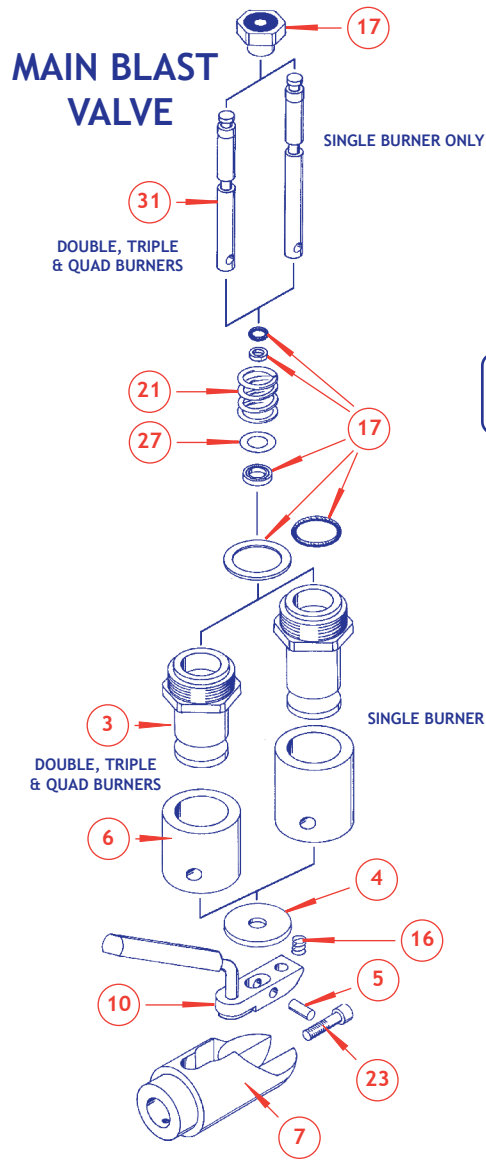
Item #	Description	Part #
1	3/8 BSP SEALING RING - OUTER	CB-0392-0021
2	3/8 BSP SEALING RING - INNER	CB-0392-0022
3	BLAST VALVE BONNET	CB-8523-0000
4	BLAST VALVE WEAR PAD	CB-8524-0000
5	BLAST TRIGGER PIN	CB-8527-0000
6	HANDLE BOSS	CB-8528-0000
7	HANDLE END FITTING	CB-8529-0000
8	SLURPER TUBE	CB-8531-0000
9	MAIN BLAST JET	CB-8548-0000
10	BLAST TRIGGER ASSEMBLY	CB-8566-0000
15	COIL ASSEMBLY	CB-8600-1000
16	BLAST TRIGGER SPRING	CB-8602-0000
17	STRATUS MAIN VALVE SEAL KIT	CB-8612-1000
19	3/8 BSP BONDED SEAL	CH-3800-0003
21	BLAST VALVE SPRING	CU-7553-0009
22	M5 x 14 CAP HEAD BOLT	CY-0005-3014
23	M5 x 25 CAP HEAD BOLT	CY-0005-3025
24	M5 AEROTIGHT NUT	CY-0005-1004
25	M5 x 16 BUTTON HEAD BOLT	CY-0005-4016
26	M5 WASHER	CY-0005-2009
27	M8 WASHER	CY-0008-2008
28	LIQUID FIRE VALVE WEAR PAD	CA-0000-8227
29	TOGGLE / PIVOT PIN	CA-0000-8299
30	TOGGLE / PIVOT PIN CIRCLIP (5MM)	CA-0000-8300
31	TOGGLE VALVE STEM (MAIN VALVE)	CB-8520-0000
FOR LIQUID VALVE ONLY ON SINGLE STRATUS BURNER, PLEASE NOTE DIMENSIONAL CHANGE - CONTACT <a href="mailto:AFTERSALES@CAMERONBALLOONS.CO.UK">AFTERSALES@CAMERONBALLOONS.CO.UK</a> FOR FURTHER INFORMATION		
32	LIQUID FIRE VALVE BONNET	CB-8521-0000
33	LIQUID FIRE TOGGLE	CB-8522-0000
34	LIQUID FIRE NOZZLE ASSEMBLY	CB-8553-0000
35	HIGH OUTPUT LIQUID FIRE NOZZLE ASSEMBLY	CB-8554-0000
39	1/4 BSP COPPER GASKET	CA-0000-8201
46	PIEZO IGNITER	CB-8505-0000
47	IGNITER HOUSING	CB-8506-0000
48	IGNITER O-RING SEAL KIT - 5 PACK	CB-8506-1000
49	STRATUS IGNITER SPRING (SUPERSEDES IGNITER LEAD)	CB-8664-0000
50	FLAME TUBE ASSEMBLY	CB-8639-0000
51	PILOT VALVE STEM	CB-8511-0000
52	PILOT VALVE NUT	CB-8512-0000

Item #	Description	Part #
53	PILOT VALVE KNOB	CB-8513-0000
54	PILOT VALVE LEVER	CB-8514-0000
55	PILOT VALVE DOWEL	CB-8515-0000
56	PILOT VALVE SPRING	CB-8516-0000
58	VAPORISER SPRING	CB-8539-0000
59	VAPORISER INLET FITTING	CB-8545-0000
60	SINTERED BRONZE FILTER	CB-8546-0000
61	LIQUID PILOT LIGHT JET	CB-8550-0000
62	VAPORISER OUTLET FITTING (LIQUID REGULATOR)	CB-8556-0000
63	IGNITER CERAMIC - INSULATED SLEEVE	CB-8557-0000
64	IGNITER ELECTRODE - INCLUDES NUT	CB-8561-0000
65	PILOT LIGHT AIR REGULATOR	CB-8565-0000
68	VAPOUR PILOT VALVE SPRING	CB-8607-0000
69	PILOT VALVE SEAL KIT	CB-8614-1000
70	VAPORISER SEAL KIT	CB-8624-1000
71	M3 x 16 CAP HEAD BOLT	CY-0003-3016
72	GAUGE FEED COPPER WASHER	CB-8540-0000
73	GAUGE FEED PIPE ASSEMBLY LH	CB-8551-4000
75	GAUGE FEED PIPE ASSEMBLY RH	CB-8551-5000
77	PRESSURE GAUGE	CB-8590-0000
78	CAN (DOUBLE, TRIPLE OR QUAD)	CB-8503-0000
79	DOUBLE HANGER	CB-8504-0000
80	DOUBLE HANDLE	CB-8530-0000
81	BLOCK O-RING (DOUBLE, TRIPLE OR QUAD)	CB-8533-0000
93	QUAD HANDLE	CB-8647-2000
94	TRIPLE HANGER	CB-8592-0000
95	TRIPLE HANDLE	CB-8593-0000
96	QUAD HANGER	CB-8596-0000
99	M3 x 12 CSK HEAD BOLT	CY-0003-5012
100	CROSSFLOW PORT PLUG	CB-8532-0000
101	TRIPLE CROSSFLOW TUBE (STRAIGHT)	CB-8594-0000
102	TRIPLE CROSSFLOW TUBE (CURVED)	CB-8595-0000
103	QUAD CROSSFLOW TUBE	CB-8646-0000
104	STRATUS CROSSFLOW VALVE ONLY	CB-8598-0000
105	BANJO BOLT	CB-8599-0000
113	SOCKET TOOL (PILOT LIGHT)	CB-8650-1004
114	IGNITER TOOL	CB-8650-1002
117	STRATUS MANIFOLD BLOCK (LEFT HAND)	CB-8501-0000
118	STRATUS MANIFOLD BLOCK (RIGHT HAND)	CB-8502-0000
119	MAIN VALVE STEM	CB-4169-0000
FOR LIQUID VALVE ONLY ON SINGLE STRATUS BURNER, PLEASE NOTE DIMENSIONAL CHANGE - CONTACT <a href="mailto:AFTERSALES@CAMERONBALLOONS.CO.UK">AFTERSALES@CAMERONBALLOONS.CO.UK</a> FOR FURTHER INFORMATION		



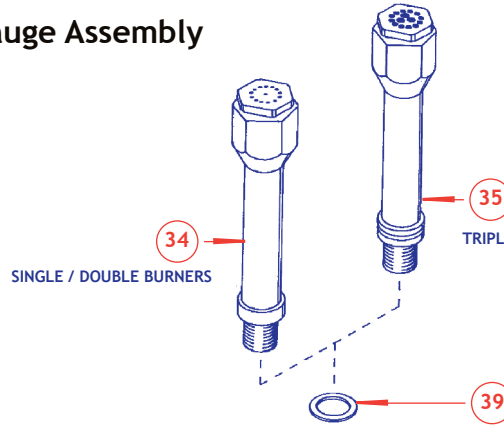


## Main Blast Valve, Crossflow, Liquid Fire & Pressure Gauge Assembly



### NOTES:

VALVE SEAL KIT  
17 = CB-8612-1000



### LIQUID FIRE

VALVE SEAL KIT  
17

\* FOR LIQUID VALVE ONLY ON SINGLE STRATUS BURNER, PLEASE NOTE DIMENSIONAL CHANGE - CONTACT [AFTERSALES@CAMERONBALLOONS.CO.UK](mailto:AFTERSALES@CAMERONBALLOONS.CO.UK) FOR FURTHER INFORMATION

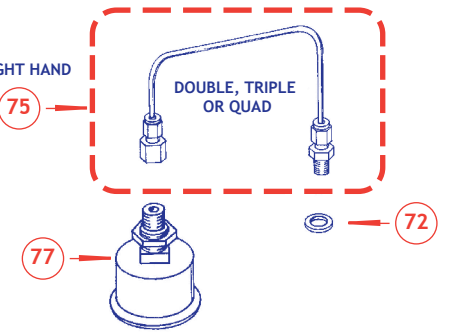
Early Model

Later Model

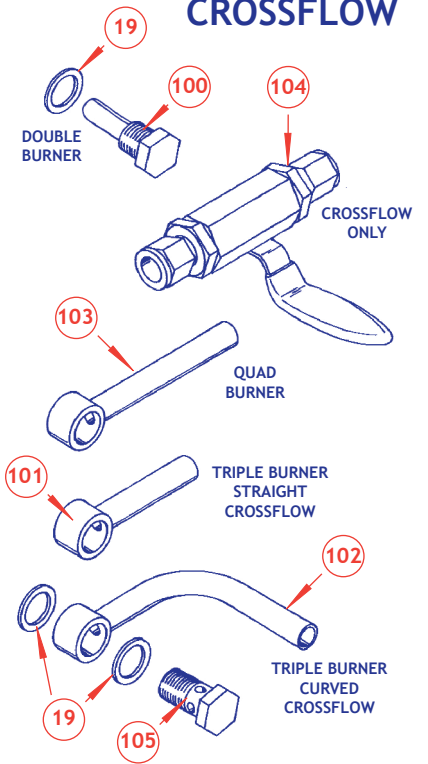
### PRESSURE PIPE ASSEMBLY

LEFT HAND RIGHT HAND

73 or 75



### CROSSFLOW



### CROSSFLOW:

TRIPLE ASSEMBLY - COMPLETE  
contains:

- 1 x CB-8594-0000 - Item 101
- 1 x CB-8595-0000 - Item 102
- 1 X CB-8598-0000 - Item 104
- 2 X CB-8599-0000 - Item 100
- 4 X CH-3800-0003 - Item 19

QUAD ASSEMBLY - COMPLETE  
Contains:

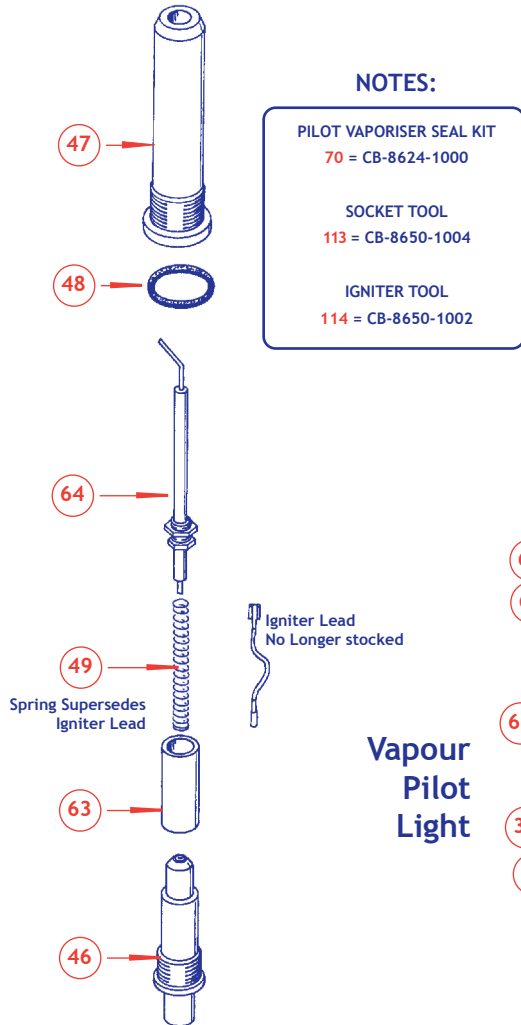
- 1 X CB-8598-0000 - Item 104
- 2 x CB-8646-0000 - Item 103
- 2 X CB-8599-0000 - Item 100
- 4 X CH-3800-0003 - Item 19

### Main Blast Valve, Crossflow, Liquid Fire & Pressure Gauge Assembly

 <b>3</b> CB-8523-0000	 <b>4</b> CB-8524-0000	 <b>5</b> CB-8527-0000	 <b>6</b> CB-8528-0000	 <b>7</b> CB-8529-0000	 <b>10</b> CB-8566-0000	 <b>16</b> CB-8602-0000	 <b>17</b> CB-8612-1000	 <b>19</b> CH-3800-0003
 <b>21</b> CU-7553-0009	 <b>23</b> CY-0005-3025	 <b>27</b> CY-0008-2008	 <b>28</b> CA-0000-8227	 <b>29</b> CA-0000-8299	 <b>30</b> CA-0000-8300	 <b>31</b> CB-8520-0000 FOR SINGLE STRATUS LIQUID VALVE, CONTACT CBL FOR ADVICE	 <b>32</b> CB-8521-0000	 <b>33</b> CB-8522-0000
 <b>34</b> CB-8553-0000 SINGLE/DOUBLE BURNER	 <b>35</b> CB-8554-0000 HIGH OUTPUT TRIPLE/QUAD BURNER	 <b>39</b> CA-0000-8201	 <b>72</b> CB-8540-0000	 <b>73</b> CB-8551-4000 LH	 <b>75</b> CB-8551-5000 RH	 <b>77</b> CB-8590-0000	 <b>100</b> CB-8532-0000	 <b>101</b> CB-8594-0000 TRIPLE BURNER - STRAIGHT
 <b>102</b> CB-8595-0000 TRIPLE BURNER - CURVED	 <b>103</b> CB-8646-0000 QUAD BURNER - STRAIGHT	 <b>104</b> CB-8598-0000	 <b>105</b> CB-8599-0000	 <b>119</b> CB-4169-2000 FOR DOUBLE, TRIPLE BURNERS CONTACT CBL FOR ADVICE				

## Pilot Light Valve, Igniter & Pilot Light Flame Tube Assembly

### IGNITER

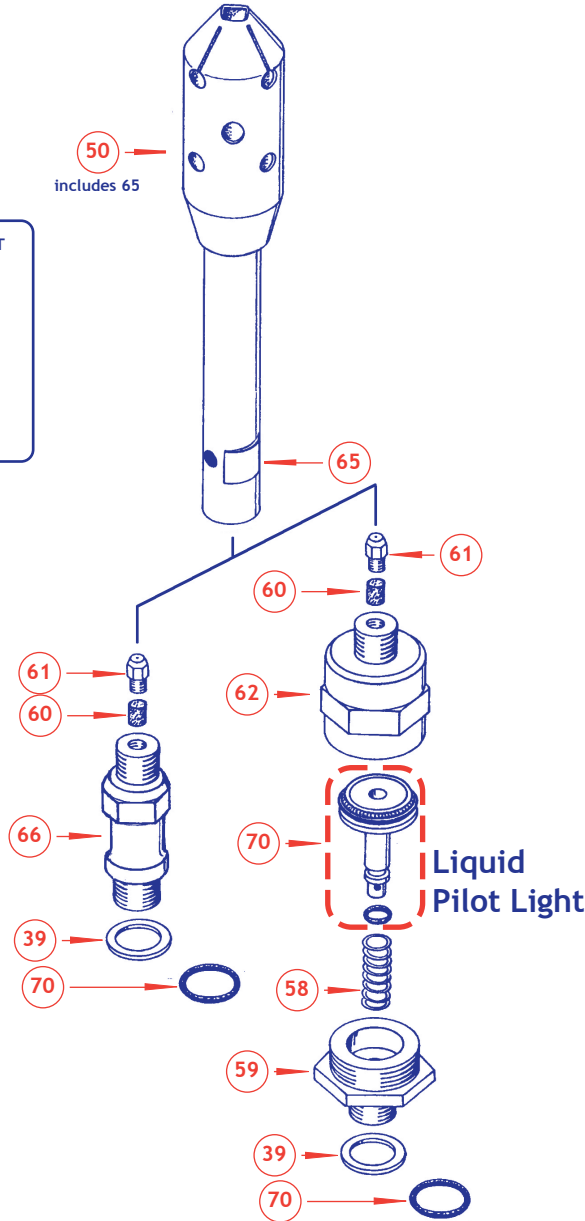


**NOTES:**

**PILOT VAPORISER SEAL KIT**  
70 = CB-8624-1000

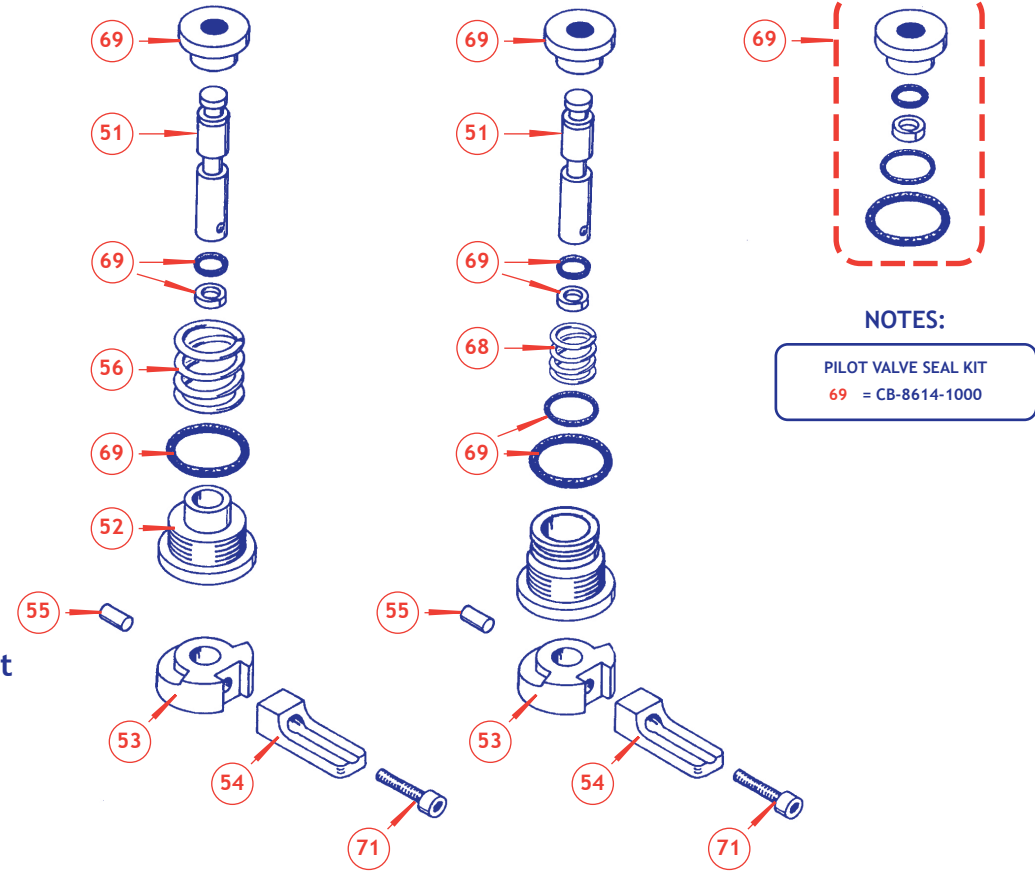
**SOCKET TOOL**  
113 = CB-8650-1004

**IGNITER TOOL**  
114 = CB-8650-1002



### LIQUID PILOT LIGHT

### VAPOUR PILOT LIGHT

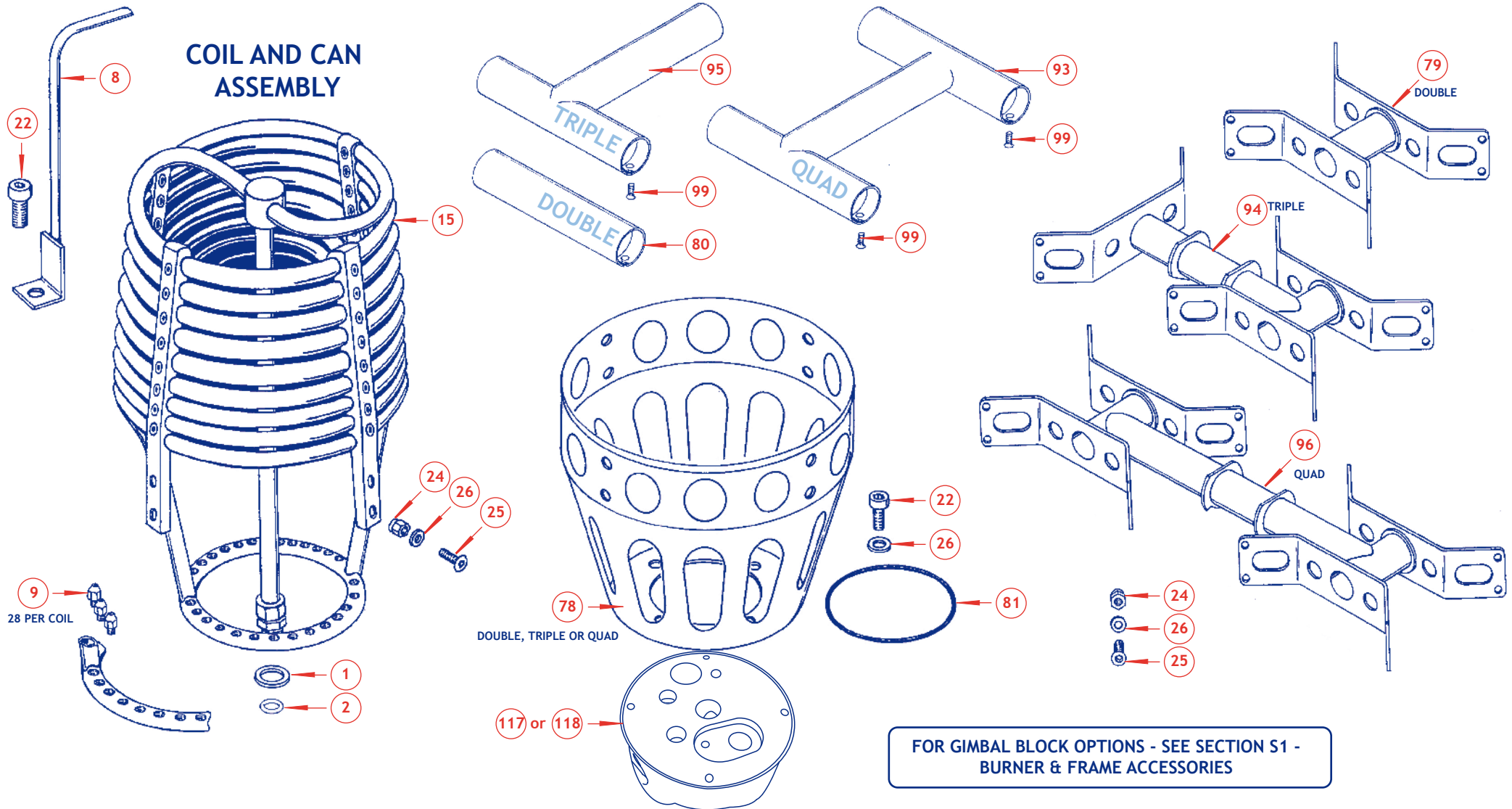




### Pilot Light Valve, Igniter & Pilot Light Flame Tube Assembly

 39 CA-0000-8201	 46 CB-8505-0000	 47 CB-8506-0000	 48 CB-8506-1000 IGNITER SEAL KIT	 49 CB-8664-0000 SUPERSEDES IGNITER LEAD	 50 CB-8639-0000	 51 CB-8511-0000	 52 CB-8512-0000 SUPERSEDED BY CB-4179-0000	 53 CB-8513-0000
 54 CB-8514-0000	 55 CB-8515-0000	 56 CB-8516-0000	 58 CB-8539-0000	 59 CB-8545-0000	 60 CB-8546-0000	 61 CB-8550-0000	 62 CB-8556-0000	 63 CB-8557-0000
 64 CB-8561-0000	 65 CB-8565-0000	 68 CB-8607-0000	 69 CB-8614-1000 PILOT VALVE SEAL KIT	 70 CB-8624-1000 VAPOURISER SEAL KIT	 71 CY-0003-3016	 113 CB-8650-1004	 114 CB-8650-1002	

## Mounting Brackets, Handles, Coil and Can Assembly



### Mounting Brackets, Handles, Coil and Can Assembly

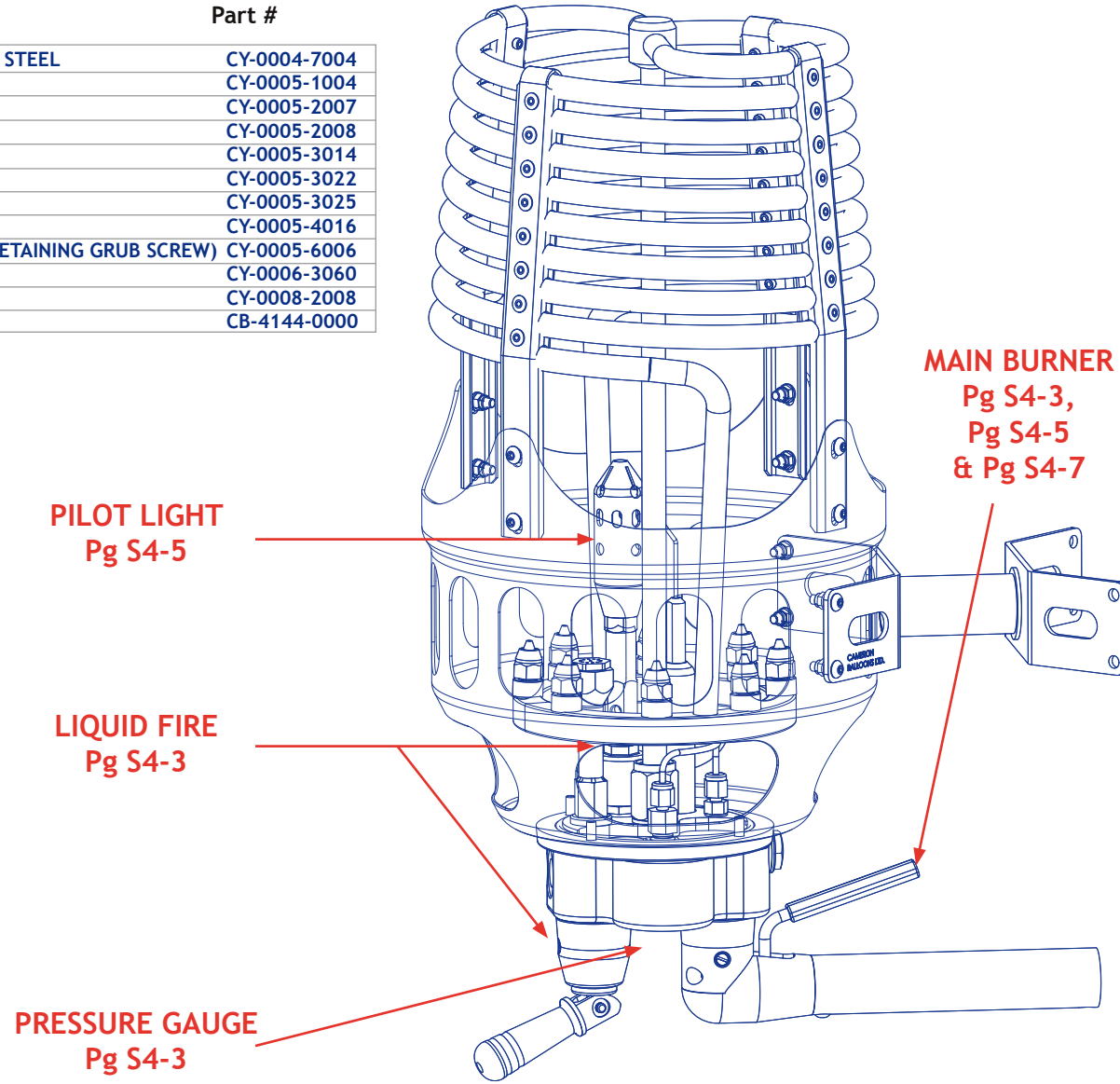
<p>1</p>  <p>CB-0392-0021</p>	<p>2</p>  <p>CB-0392-0022</p>	<p>8</p>  <p>CB-8531-0000 PLEASE SPECIFY LENGTH</p>	<p>9</p>  <p>CB-8548-0000</p>	<p>15</p>  <p>CB-8600-0100</p>	<p>22</p>  <p>CY-0005-3014</p>	<p>24</p>  <p>CY-0005-1004</p>	<p>25</p>  <p>CY-0005-4016</p>	<p>26</p>  <p>CY-0005-2009</p>
<p>78</p>  <p>CB-8503-0000</p>	<p>79</p>  <p>CB-8504-0000</p>	<p>80</p>  <p>CB-8530-0000</p>	<p>81</p>  <p>CB-8533-0000</p>	<p>94</p>  <p>CB-8592-0000</p>	<p>95</p>  <p>CB-8593-0000</p>			
	<p>96</p>  <p>CB-8596-0000</p>	<p>99</p>  <p>CY-0003-5012</p>	<p>93</p>  <p>CB-8647-2000</p>					
<p>117</p>  <p>CB-8501-0000 (LH)</p>	<p>118</p>  <p>CB-8502-0000 (RH)</p>							



Item #	Description	Part #
1	TOGGLE / PIVOT PIN	CA-0000-8299
2	TOGGLE / PIVOT PIN CIRCLIP <b>5MM</b>	CA-0000-8300
3	COPPER WASHER	CB-0214-0006
4	'O' RING PACK	CB-2023-0001
5	PRESSURE GAUGE <b>SINGLE</b>	CB-2130-0001
6	PIEZO IGNITER SPRING	CB-2767-0000
8	ELECTRODE	CB-4057-0000
9	CERAMIC TUBE	CB-4058-0000
10	WHISPER VALVE, RISER <b>LH</b>	CB-4063-0000
11	WHISPER VALVE, RISER <b>RH</b>	CB-4064-0000
12	WHISPER VALVE, HANDLE	CB-4066-0000
13	WHISPER VALVE, RING NUT	CB-4067-0000
14	WHISPER VALVE KNOB	CB-4068-0000
15	WHISPER VALVE ADJUSTER	CB-4069-0000
16	WHISPER VALVE RAMP LINER	CB-4070-0000
17	WHISPER VALVE DOWEL	CB-4073-0000
18	WHISPER VALVE M5 SET SCREW	CB-4074-0000
19	MAIN VALVE SEAL KIT	CB-4110-1000
20	WHISPER VALVE SEAL KIT	CB-4110-2000
21	PILOT VALVE SEAL KIT	CB-4110-3000
22	IGNITER SEAL KIT	CB-4110-5000
23	COIL STEM SEAL KIT	CB-4110-6000
24	COIL ASSEMBLY	CB-4124-0000
25	BLAST VALVE TRIGGER ASSEMBLY	CB-4127-0000
26	WHISPER NOZZLE ASSEMBLY	CB-4131-0000
27	MAIN JETS	CB-4142-0000
28	BURNER CAN - STAINLESS STEEL	CB-4143-0000
29	BURNER CAN - ALUMINIUM ALLOY	CB-4148-0000
30	MANIFOLD BLOCK <b>LH</b>	CB-4150-0000
31	MANIFOLD BLOCK <b>RH</b>	CB-4151-0000
32	MANIFOLD COIL FITTING	CB-4152-0000
33	COIL FEED PORT PLUG	CB-4153-0000
34	IGNITER HOUSING	CB-4154-0000
35	MANIFOLD BLOCK - <b>SINGLE</b>	CB-4155-0000
36	MANIFOLD COIL FITTING - <b>SINGLE</b>	CB-4156-0000
37	MANIFOLD BLOCK O-RING <b>DOUBLE/ TRIPLE/ QUAD</b>	CB-4157-0000
38	MANIFOLD BLOCK O-RING <b>SINGLE</b>	CB-4158-0000
39	WHISPER VALVE HOUSING	CB-4160-0000
40	WHISPER VALVE SHROUD <b>LH</b>	CB-4161-0000
41	WHISPER VALVE SHROUD <b>RH</b>	CB-4162-0000
42	WHISPER VALVE (TOGGLE) SHROUD	CB-4163-0000
43	WHISPER VALVE (TOGGLE) WEAR PAD	CB-4164-0000
44	WHISPER VALVE (TOGGLE) HANDLE	CB-4166-0000
45	MAIN VALVE STEM	CB-4169-0000

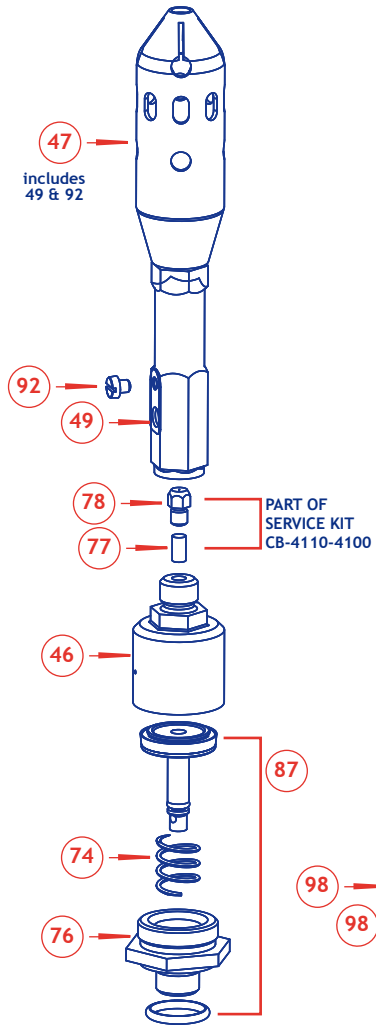
Item #	Description	Part #
46	VAPORISER OUTLET FITTING	CB-4170-0000
47	FLAME TUBE ASSEMBLY	CB-4135-0000
49	PILOT AIR REGULATOR TAG	CB-4174-0000
50	PILOT VALVE NUT	CB-4179-0000
51	BLAST VALVE HOUSING	CB-4190-0000
52	BLAST VALVE SHROUD	CB-4191-0000
53	BLAST VALVE WEAR PAD	CB-4192-0000
54	BLAST VALVE HANDLE END	CB-4195-0000
55	BLAST VALVES SHROUD <b>SINGLE</b>	CB-4196-0000
56	HANDLE CENTRE FITTING <b>SINGLE</b>	CB-4201-0000
57	DOUBLE HANDLE	CB-4202-0000
58	TRIPLE HANDLE	CB-4203-0000
59	QUAD HANDLE	CB-4204-0000
60	HANDLE END PIECE <b>(SINGLE) RED</b>	CB-4205-1000
61	HANDLE END PIECE <b>(SINGLE) GREEN</b>	CB-4205-2000
62	DOUBLE MOUNTING BRACKET	CB-4212-0000
63	TRIPLE MOUNTING BRACKET	CB-4213-0000
64	QUAD MOUNTING BRACKET	CB-4214-0000
65	TRIPLE CURVED CROSSFLOW SUB-ASSY	CB-4216-0000
66	PIEZO IGNITER	CB-8505-0000
67	PILOT VALVE STEM	CB-8511-0000
68	PILOT VALVE KNOB	CB-8513-0000
69	PILOT VALVE LEVER	CB-8514-0000
70	PILOT VALVE DOWEL	CB-8515-0000
71	PILOT VALVE SPRING	CB-8516-0000
72	BLAST TRIGGER PIN	CB-8527-0000
73	SLURPER TUBE	CB-8531-0000
74	VAPORISER SPRING	CB-8539-0000
75	GAUGE FEED COPPER WASHER	CB-8540-0000
76	VAPORISER INLET FITTING	CB-8545-0000
77	SINTERED BRONZE FILTER	CB-8546-0000
78	LIQUID PILOT LIGHT JET	CB-8550-0000
79	GAUGE FEED PIPE ASSEMBLY <b>LH</b>	CB-8551-4000
80	GAUGE FEED PIPE ASSEMBLY <b>RH</b>	CB-8551-5000
82	PRESSURE GAUGE	CB-8590-0000
83	TRIPLE CROSSFLOW TUBE <b>STRAIGHT</b>	CB-8594-0000
84	STRATUS CROSSFLOW VALVE ONLY	CB-8598-0000
85	BANJO BOLT	CB-8599-0000
86	COMPRESSION SPRING	CB-8602-0000
87	VAPORISER SEAL KIT	CB-8624-1000
88	QUAD CROSSFLOW TUBE	CB-8646-0000
89	3/8BSP DOWTY SEAL	CH-3800-0003
90	BLAST VALVE SPRING	CU-7553-0009
91	M3 X 16 CAP HEAD BOLT	CY-0003-3016

Item #	Description	Part #
92	M4 X 4 SLOTTED CHEESE HD BOLT STAINLESS STEEL	CY-0004-7004
93	M5 AEROTIGHT NUT	CY-0005-1004
94	M5 SPRING WASHER	CY-0005-2007
95	M5 PLAIN WASHER	CY-0005-2008
96	M5 X 14 CAP HEAD BOLT	CY-0005-3014
97	M5 X 22 CAP HD SKT BOLT STAINLESS STEEL	CY-0005-3022
98	M5 X 25 CAP HEAD BOLT	CY-0005-3025
99	M5 X 16 BUTTON HEAD BOLT	CY-0005-4016
100	M5 X 6 GRUB SCREW HEX SOCKET (IGNITER RETAINING GRUB SCREW)	CY-0005-6006
101	M6 X 60 CAPHEAD BOLT	CY-0006-3060
102	M8 PLAIN WASHER	CY-0008-2008
103	BURNER CAN - SINGLE - ALUMINIUM	CB-4144-0000

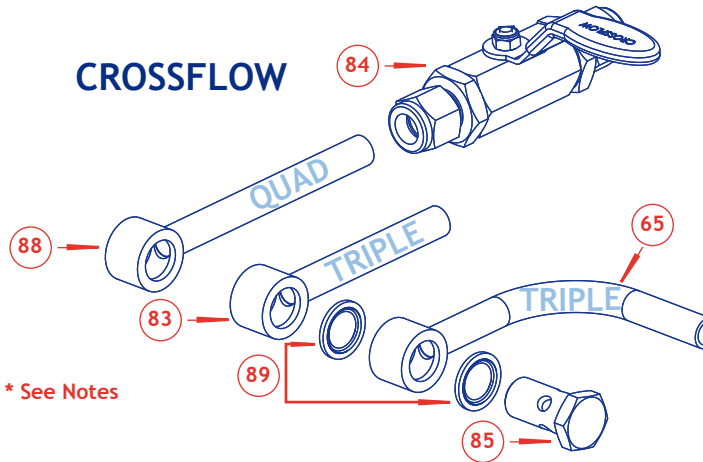


## Main Blast Valve, Crossflow, Liquid Pilot System & Whisper Burner Assembly

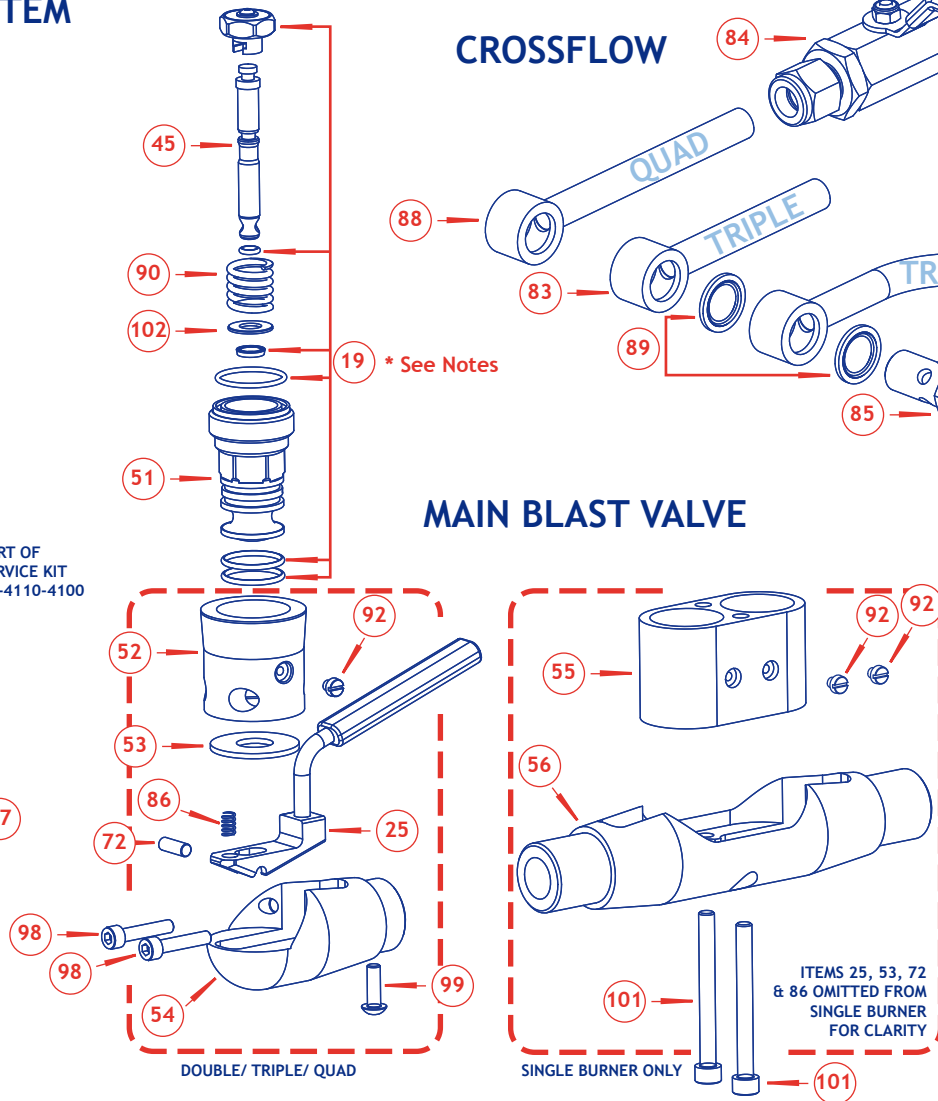
### LIQUID PILOT SYSTEM



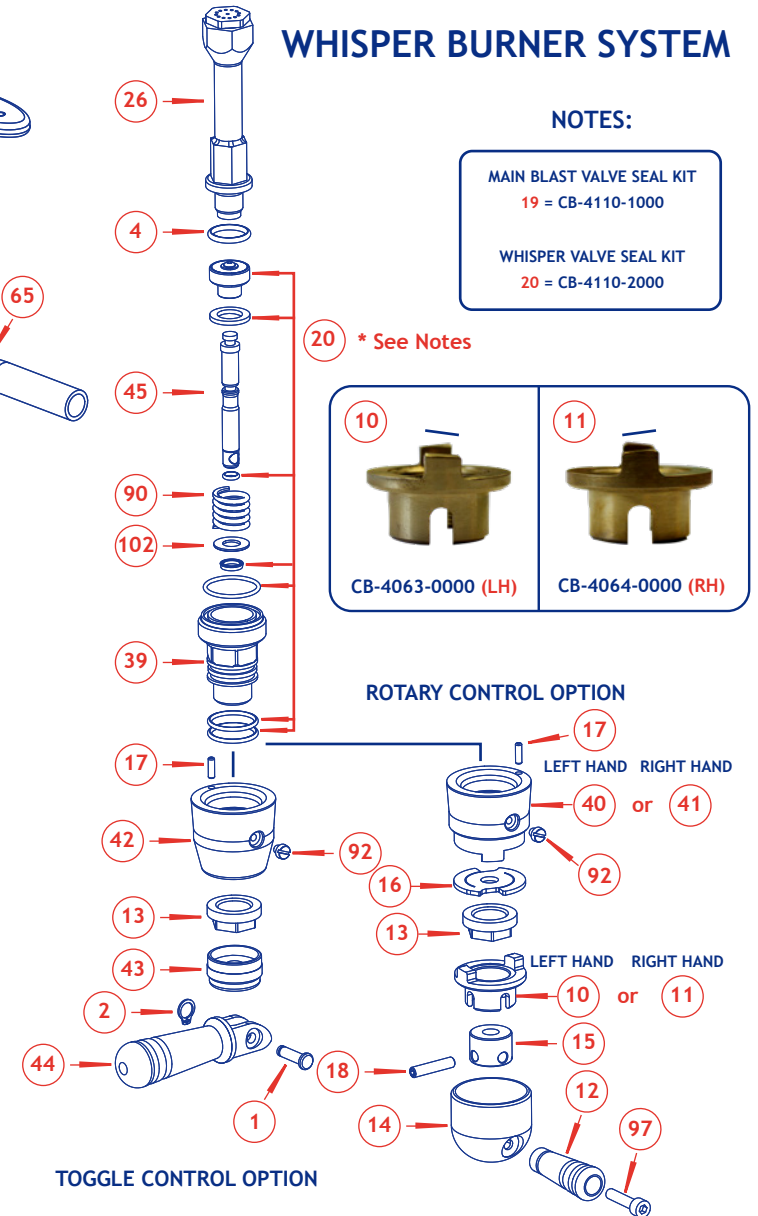
### CROSSFLOW



### MAIN BLAST VALVE



### WHISPER BURNER SYSTEM

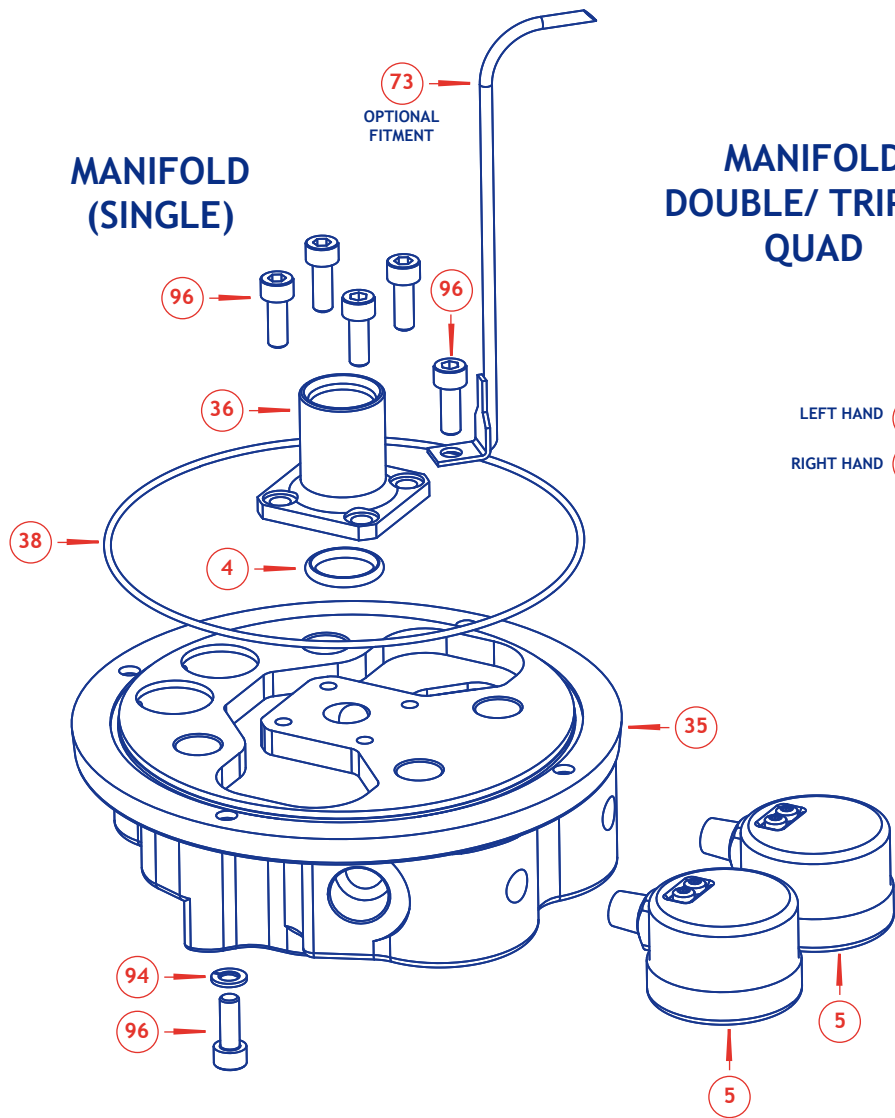


## Main Blast Valve, Crossflow, Liquid Pilot System & Whisper Burner Assembly

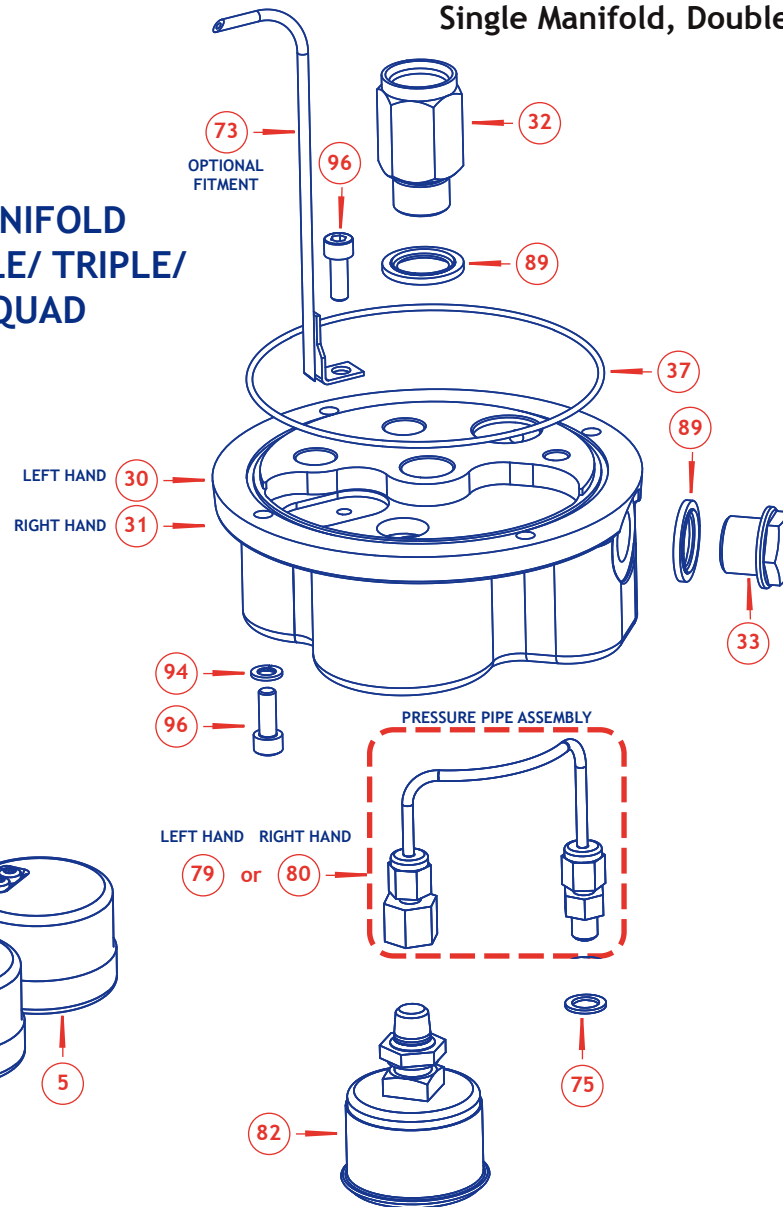
 CA-0000-8299	 CA-0000-8300	 CB-2023-0001	 CB-4066-0000	 CB-4067-0000	 CB-4068-0000	 CB-4069-0000	 CB-4070-0000	 CB-4073-0000	 CB-4074-0000
 CB-4110-1000	 CB-4110-2000	 CB-4127-0000	 CB-4131-0000	 CB-4160-0000	 CB-4161 (LH)	 CB-4162 (RH)	 CB-4163-0000	 CB-4164-0000	 CB-4166-0000
 CB-4169-0000	 CB-4170-0000	 CB-4135-0000	 CB-4174-0000	 CB-4190-0000	 CB-4191-0000	 CB-4192-0000	 CB-4195-0000	 CB-4196-0000	 CB-4201-0000
 CB-4216-0000	 CB-8527-0000	 CB-8539-0000	 CB-8545-0000	 CB-8546-0000	 CB-8550-0000	 CB-8594-0000	 CB-8598-0000	 CB-8599-0000	 CB-8602-0000
 CB-8624-1000 VAPOURISER SEAL KIT	 CB-8646-0000	 CH-3800-0003	 CU-7553-0009	 CY-0004-7004	 CY-0005-3022	 CY-0005-3025	 CY-0005-4016	 CY-0006-3060	 CY-0008-2008



## Single Manifold, Double/ Triple/ Quad Manifold, Pilot Valve



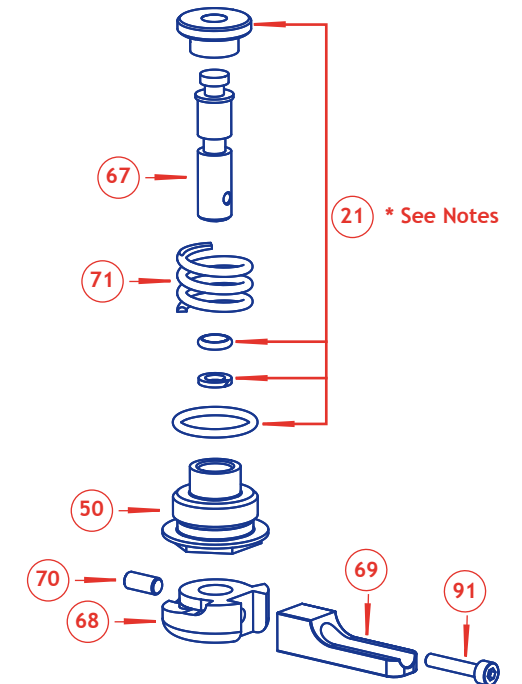
## MANIFOLD DOUBLE/ TRIPLE/ QUAD



### NOTES:

PILOT LIGHT VALVE SEAL KIT  
21 = CB-4110-3000

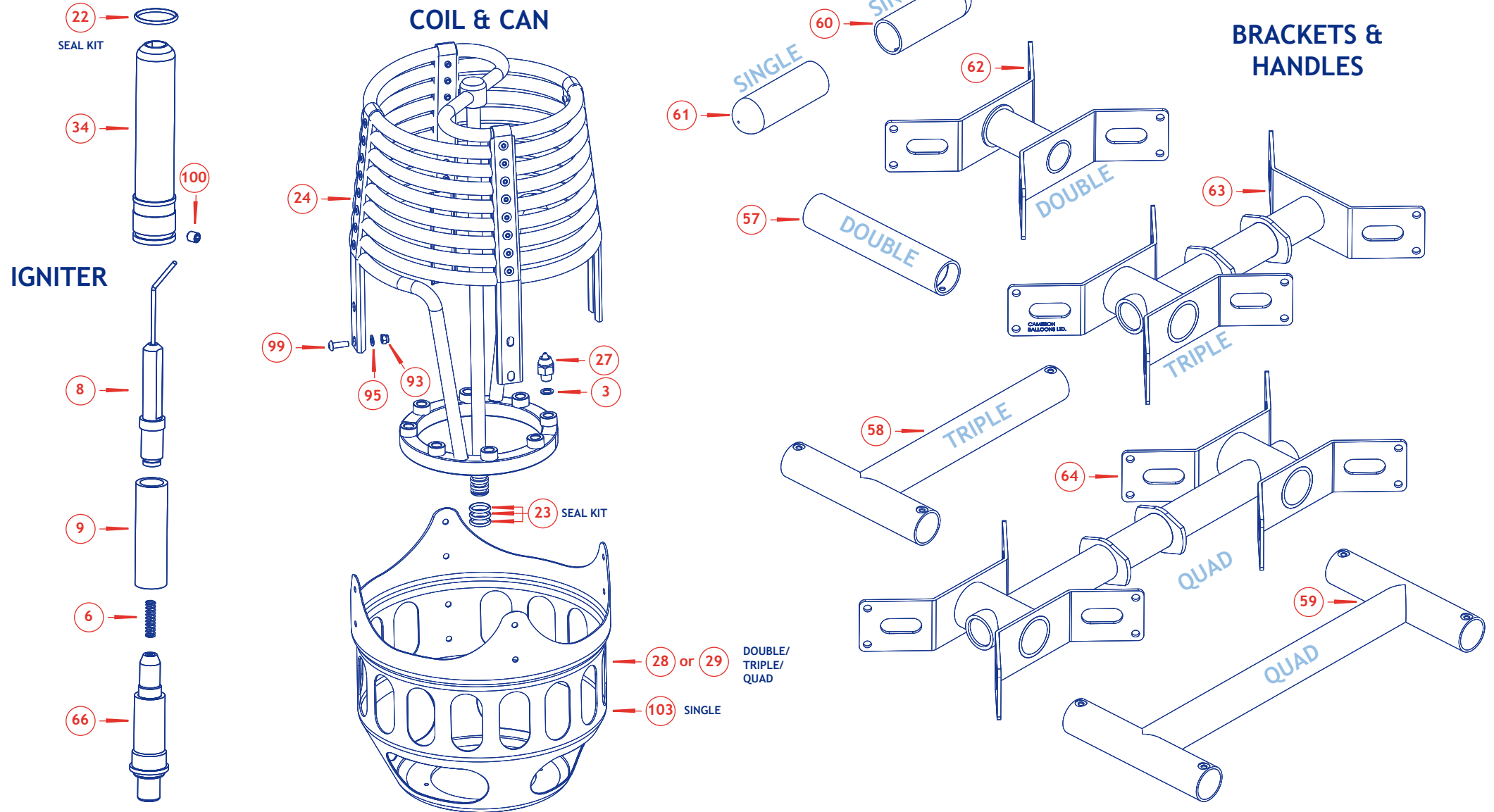
## PILOT LIGHT VALVE



## Single Manifold, Double/ Triple/ Quad Manifold, Pilot Valve

 4 CB-2023-0001	 5 CB-2130-0001	 21 CB-4110-3000	 30 CB-4150 (LH)	 31 CB-4151 (RH)	 32 CB-4152-0000	 33 CB-4153-0000	 35 CB-4155-0000	 36 CB-4156-0000
 37 CB-4157-0000	 38 CB-4158-0000	 50 CB-4179-0000	 67 CB-8511-0000	 68 CB-8513-0000	 69 CB-8514-0000	 70 CB-8515-0000	 71 CB-8516-0000	 73 CB-8531-0000
 75 CB-8540-0000	 79 CB-8551-4000 (LH)	 80 CB-8551-5000 (RH)	 82 CB-8590-0000	 89 CB-8646-0000	 91 CY-0003-3016	 94 CY-0005-2007	 96 CY-0005-3014	

## Igniter, Brackets & Handles, Coil and Can Assembly



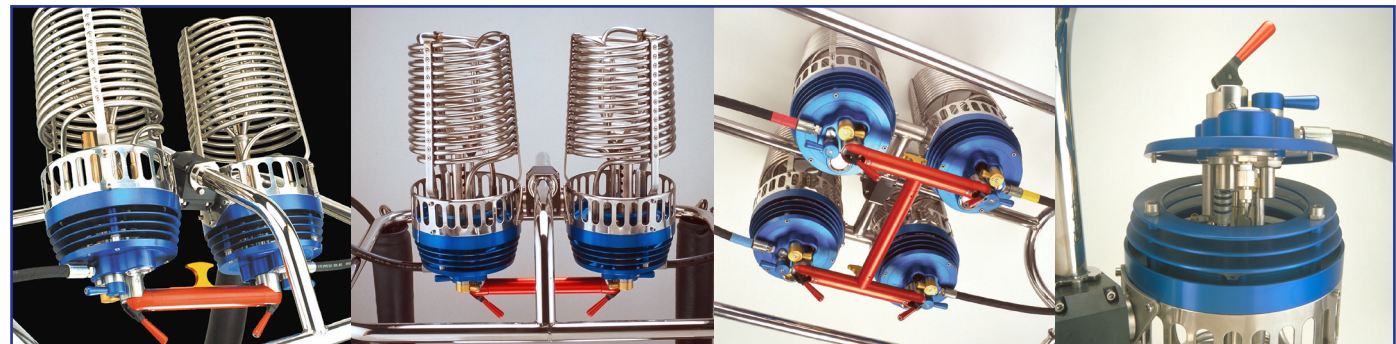
## Igniter, Brackets & Handles, Coil and Can Assembly

 3 CB-0214-0006	 6 CB-2767-0000	 8 CB-4057-0000	 9 CB-4058-0000	 22 CB-4110-5000	 23 CB-4110-6000	 24 CB-4124-0000	 27 CB-4142-0000	 28 CB-4143-0000
 29 CB-4148-0000	 34 CB-4154-0000	 57 CB-4202-0000	 58 CB-4203-0000	 59 CB-4204-0000	 60 CB-4205-1000	 61 CB-4205-2000	 62 CB-4212-0000	 63 CB-4213-0000
 64 CB-4214-0000	 66 CB-8505-0000	 93 CY-0005-1004	 95 CY-0005-2008	 99 CY-0005-4016	 100 CY-0005-6006	 103 CB-4144-0000		



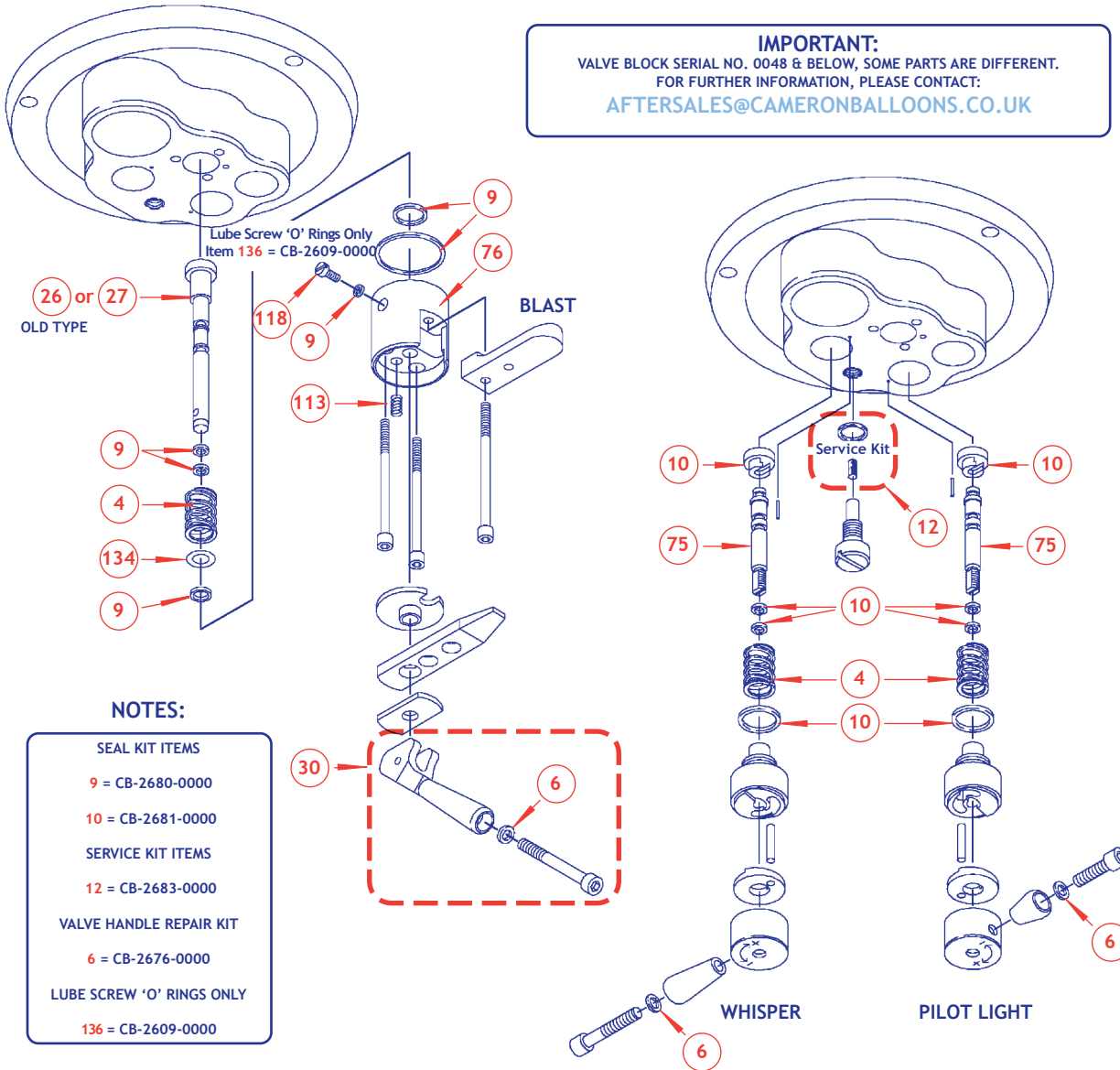
Item #	Description	Part #
3	PRESSURE GAUGE FITTING (SS-200-1-2)	CB-2472-0002
4	MAIN VALVE SPRING	CU-7553-0009
5	LIQUID PILOT LIGHT JET KIT	CB-2603-0000
6	BLAST VALVE STEM 'O' RING KIT - 10 PACK	CB-2676-0000
9	BLAST VALVE REPAIR KIT	CB-2680-0000
10	SIROCCO PILOT/WHISPER VALVE REPAIR KIT	CB-2681-0000
11	COIL END FITTING REPAIR KIT - 3 PACK	CB-2682-0000
12	PILOT LIGHT INLET FILTER REPAIR KIT	CB-2683-0000
13	LIQUID PILOT LIGHT REGULATOR REPAIR KIT	CB-2684-0000
14	COIL TO JET RING FITTING REPAIR KIT - 3 PACK	CB-2685-0000
15	REPLACEMENT BI-METAL STRIP KIT - 9 PACK	CB-2687-0000
16	PRESSURE GAUGE SEAL KIT - 2 PACK	CB-2688-0000
17	SIROCCO COIL ASSEMBLY (LH)	CB-2719-1000
18	SIROCCO COIL ASSEMBLY (RH)	CB-2719-2000
22	SIROCCO GIMBAL MOUNTING BRACKET (DOUBLE)	CB-2723-0000
26	SIROCCO BLAST VALVE STEM ASSEMBLY (OLD TYPE)	CB-2730-0000
27	SIROCCO BLAST VALVE STEM ASSEMBLY	CB-2806-0000
28	BRASS RETAINING NUT, JET RING SIROCCO	CB-2732-0000
30	BLAST VALVE HANDLE (RED)	CB-2733-2734
46	PILOT LIGHT REGULATOR PISTON ASSEMBLY	CB-2754-0000
48	SIROCCO HEATER SUPPORT RING	CB-2756-0000
49	PILOT LIGHT REGULATOR HEATER ROD	CB-2757-0000
50	PILOT LIGHT FLAME TUBE LOWER ASSEMBLY	CB-2758-0000
53	PILOT LIGHT FLAME TUBE GAUZE	CB-2761-0000
56	PIEZO IGNITER CERAMIC ELECTRODE	CB-2764-0000
57	PIEZO IGNITER INSULATOR	CB-2765-0000
58	PIEZO IGNITER UNIT	CB-2766-0000
59	PIEZO IGNITER SPRING	CB-2767-0000
60	JET RING - OUTER ASSY (INC THREADED BARS & ITEM 28)	CB-2679-0000

Item #	Description	Part #
61	JET RING - INNER	CB-2774-0000
62	JET RING FOIL OUTER	CB-2775-0000
63	JET RING FOIL INNER	CB-2776-0000
64	JET RING - BI-METALLIC STRIP - SINGLE (COMPLETE PACK - SEE ITEM 15)	CB-2777-0000
65	JET RING ASSEMBLY - COMPLETE	CB-2720-0000
75	WHISPER/PILOT VALVE STEM ASSY	CB-2744-0000
76	BLAST VALVE BONNET	CB-2788-0000
78	SIROCCO HANDLE CROSSBAR (DOUBLE)	
	PLEASE SPECIFY IF EXISTING HANDLE HAS GOLD SQUEEZE ACTION FOR CROSSFLOW	CB-2807-1000
79	SIROCCO HANDLE CROSSBAR (TRIPLE/QUAD)	
	PLEASE SPECIFY IF EXISTING HANDLE HAS GOLD SQUEEZE ACTION FOR CROSSFLOW	CB-2807-2000
109	SINTERED BRONZE FILTER	CB-8546-0000
111	PRESSURE GAUGE FITTING (SS-200-7-2)	CB-8589-0000
112	SIROCCO PRESSURE GAUGE	CB-8590-0000
113	COMPRESSION SPRING	CB-8602-0000
117	M4 PLAIN WASHER	CY-0004-2008
118	M4 x 6 PAN HEAD BOLT	CY-0004-4006
121	M5 AEROTIGHT NUT	CY-0005-1004
123	M5 STAINLESS STEEL SPRING LOCK WASHER	CY-0005-2007
124	M5 PLAIN WASHER	CY-0005-2008
125	M5 x 16 HEX SOCKET CAP HEAD SCREW	CY-0005-3016
132	M6 x 25 CAP HEAD BOLT HEX SOCKET	CY-0006-3025
133	M6 x 6 GRUB SCREW HEX SOCKET	CY-0006-6006
134	M8 PLAIN WASHER	CY-0008-2008
135	SIROCCO SPANNER	CB-2748-0000
136	LUBE SCREW 'O' RINGS	CB-2609-0000
137	M5 x 16 HEX SOCKET CAP HEAD SCREW	CY-0005-3020
138	SIROCCO REMOTE CONTROL BLAST VALVE SEAL KIT	CB-2678-0000



## Main Blast, Pilot Light and Whisper Valves

**IMPORTANT:**  
VALVE BLOCK SERIAL NO. 0048 & BELOW, SOME PARTS ARE DIFFERENT.  
FOR FURTHER INFORMATION, PLEASE CONTACT:  
[AFTERSALES@CAMERONBALLOONS.CO.UK](mailto:AFTERSALES@CAMERONBALLOONS.CO.UK)



**NOTES:**

**SEAL KIT ITEMS**

9 = CB-2680-0000

10 = CB-2681-0000

**SERVICE KIT ITEMS**

12 = CB-2683-0000

**VALVE HANDLE REPAIR KIT**

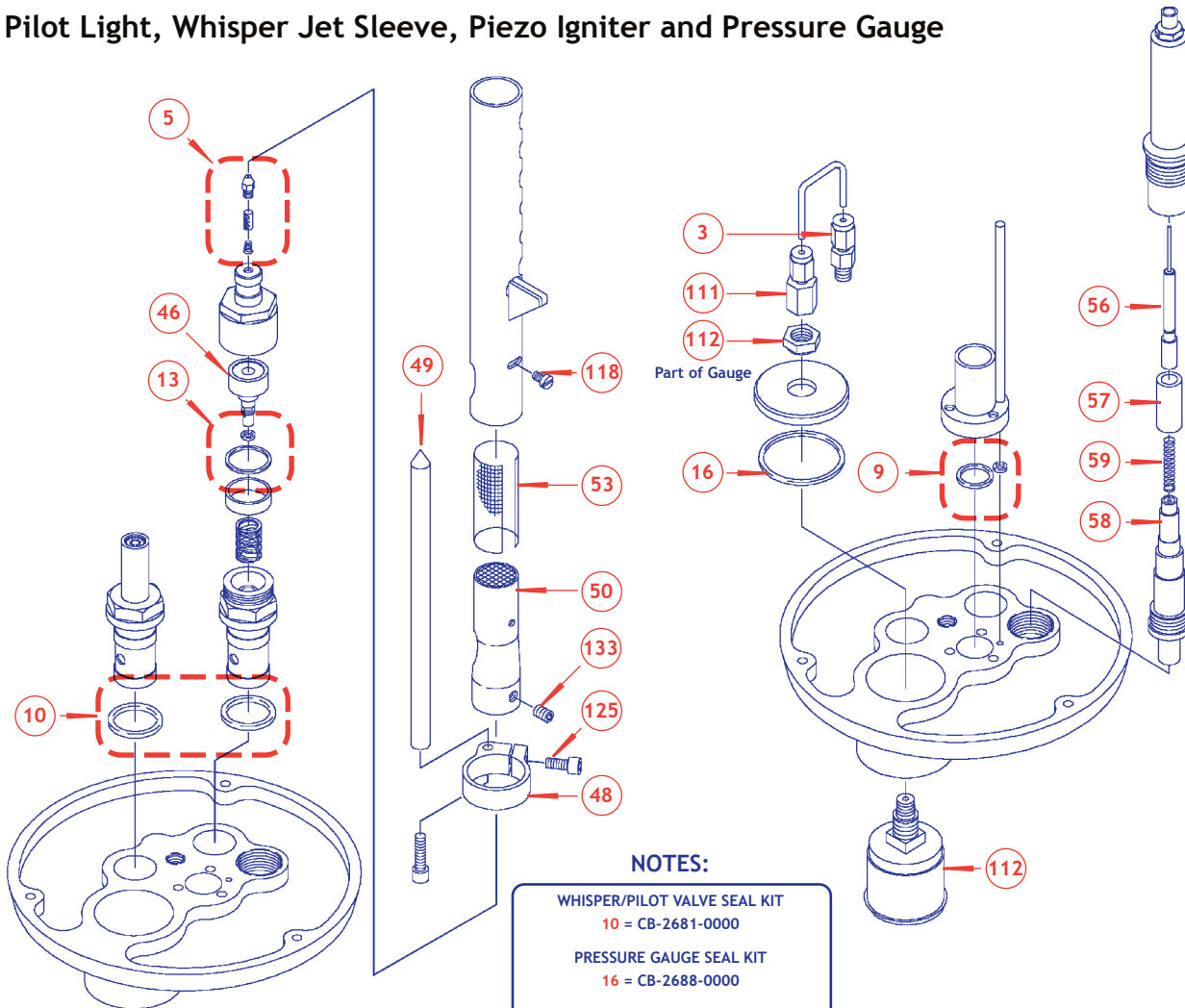
6 = CB-2676-0000

**LUBE SCREW 'O' RINGS ONLY**

136 = CB-2609-0000

<p>4</p> <p>CU-7553-0009</p>	<p>6</p> <p>10 Pack</p> <p>CB-2676-0000</p>	<p>9</p> <p>CB-2680-0000</p>	<p>10</p> <p>CB-2681-0000</p>
<p>12</p> <p>CB-2683-0000</p>	<p>26</p> <p>CB-2730-0000 (OLD TYPE)</p>	<p>27</p> <p>CB-2806-0000</p>	<p>30</p> <p>CB-2733-2734</p>
<p>75</p> <p>CB-2744-0000</p>	<p>76</p> <p>CB-2788-0000</p>	<p>113</p> <p>CB-8602-0000</p>	<p>118</p> <p>CY-0004-4006</p>
<p>134</p> <p>CY-0008-2008</p>	<p>136</p> <p>CB-2609-0000 LUBE SCREW 'O' RINGS</p>		

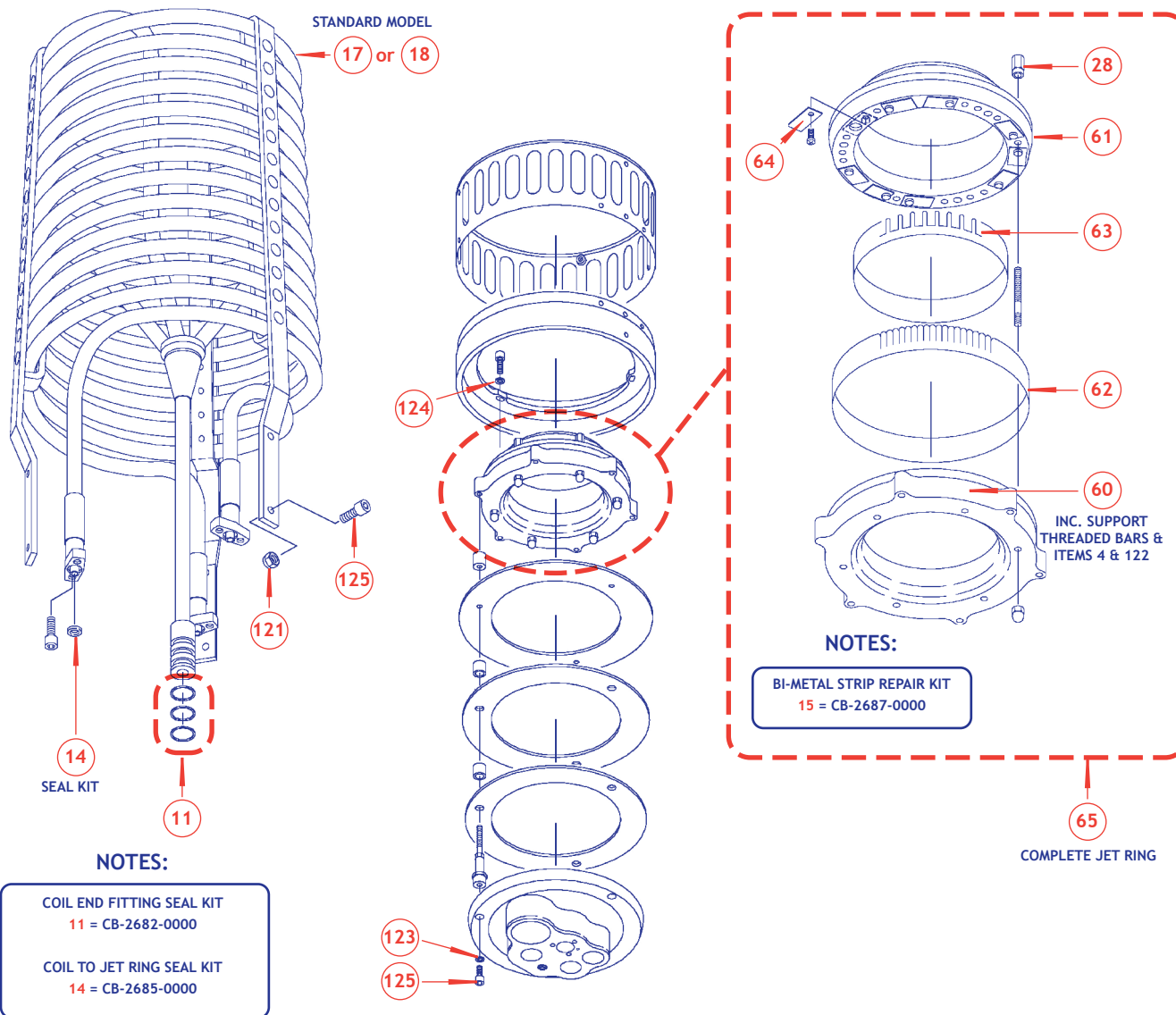
## Pilot Light, Whisper Jet Sleeve, Piezo Igniter and Pressure Gauge



- NOTES:**
- WHISPER/PILOT VALVE SEAL KIT  
10 = CB-2681-0000
  - PRESSURE GAUGE SEAL KIT  
16 = CB-2688-0000
  - PILOT LIGHT REGULATOR SEAL KIT  
13 = CB-2684-0000
  - PILOT LIGHT JET / FILTER SERVICE KIT  
5 = CB-2603-0000
  - BLAST VALVE SEAL KIT  
9 = CB-2680-0000

 3 CB-2472-0002	 5 CB-2603-0000	 9 CB-2680-0000	 10 CB-2681-0000
 13 CB-2684-0000	 16 CB2688-0000	 46 CB-2754-0000	 48 CB-2756-0000 INC. ITEM 125
 49 CB-2757-0000	 50 CB-2758-0000	 53 CB-2761-0000	 56 CB-2764-0000
 57 CB-2765-0000	 58 CB-2766-0000	 59 CB-2767-0000	 111 CB-8589-0000
 133 CY-0006-6006	 112 CB-8590-0000	 118 CY-0004-4006	 125 CY-0005-3016

## Coil, Can & Jet Assembly

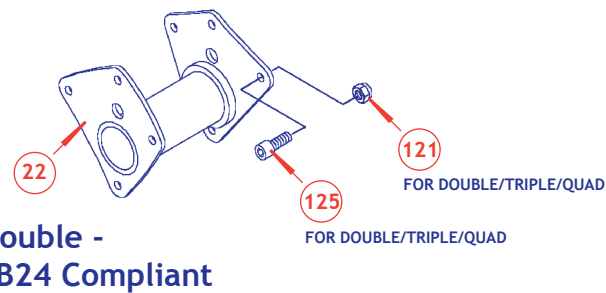
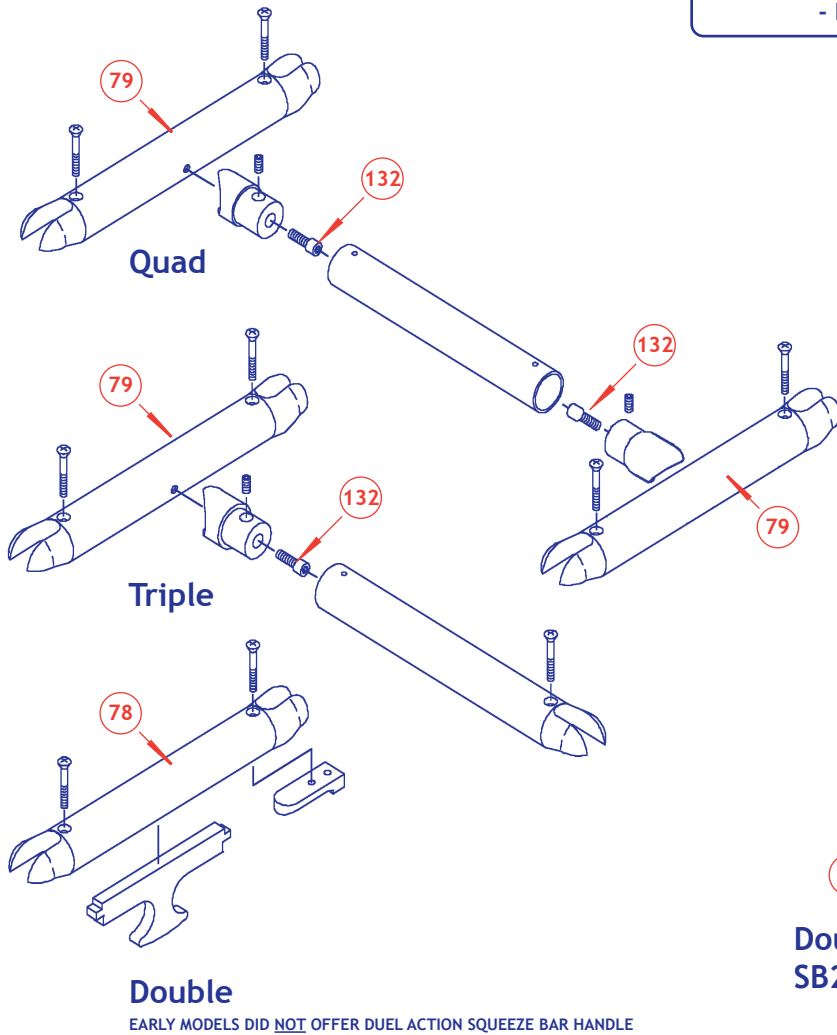


<p>11</p> <p>CB-2682-0000</p>	<p>14</p> <p>CB-2685-0000</p>	<p>15</p> <p>CB-2687-0000</p>
<p>17</p> <p>CB-2719-1000 (LH)</p>	<p>18</p> <p>CB-2719-2000 (RH)</p>	<p>28</p> <p>CB-2732-0000</p>
<p>64</p> <p>CB-2777-0000 SEE ITEM 15 FOR PACK</p>	<p>60</p> <p>CB-2679-0000 INC. SUPPORT THREADED BARS &amp; ITEM 28</p>	<p>65</p> <p>CB-2720-0000 COMPLETE JET RING</p>
<p>121</p> <p>CY-0005-1004</p>	<p>123</p> <p>CY-0005-2007</p>	<p>124</p> <p>CY-0005-2008</p>
<p>125</p> <p>CY-0005-3016</p>		



## Handle and Mounting Assembly

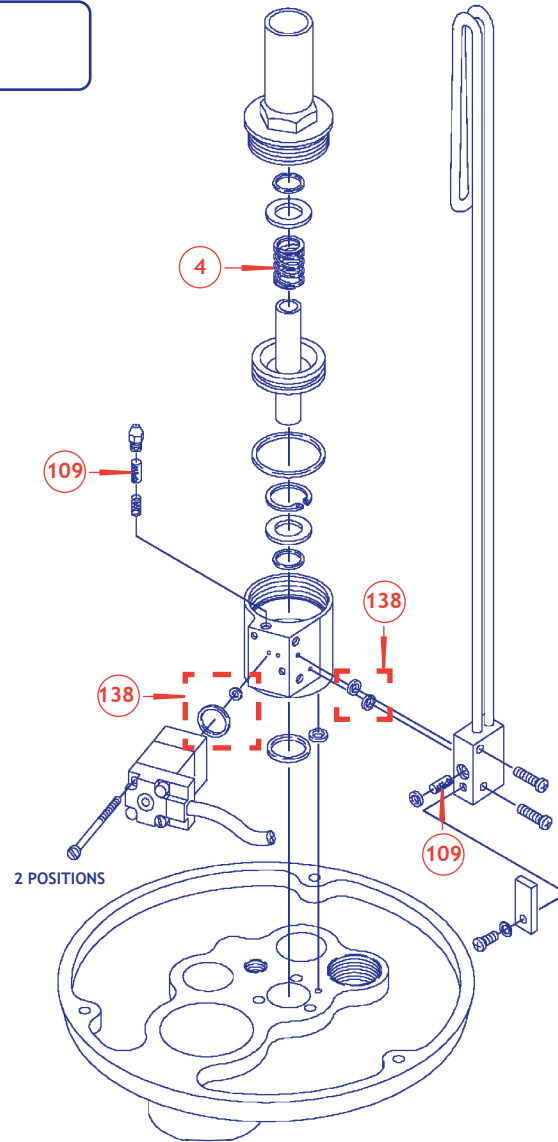
FOR GIMBAL BLOCK OPTIONS - SEE SECTION S1  
- BURNER & FRAME ACCESSORIES



<p>(22)</p> <p>CB-2723-0000 SB-24 COMPLIANT</p>		
<p>(78)</p> <p>CB-2807-1000 DOUBLE ONLY</p>		
<p>(79)</p> <p>CB-2807-2000 TRIPLE / QUAD</p>		
<p>(121)</p> <p>CY-0005-1004</p>	<p>(125)</p> <p>CY-0005-3016</p>	<p>(132)</p> <p>CY-0006-3025</p>
<p>(135)</p> <p>CB-2748-0000</p>	<p>(137)</p> <p>CY-0005-3020</p>	

## EP Blast Valve Sleeve Assembly

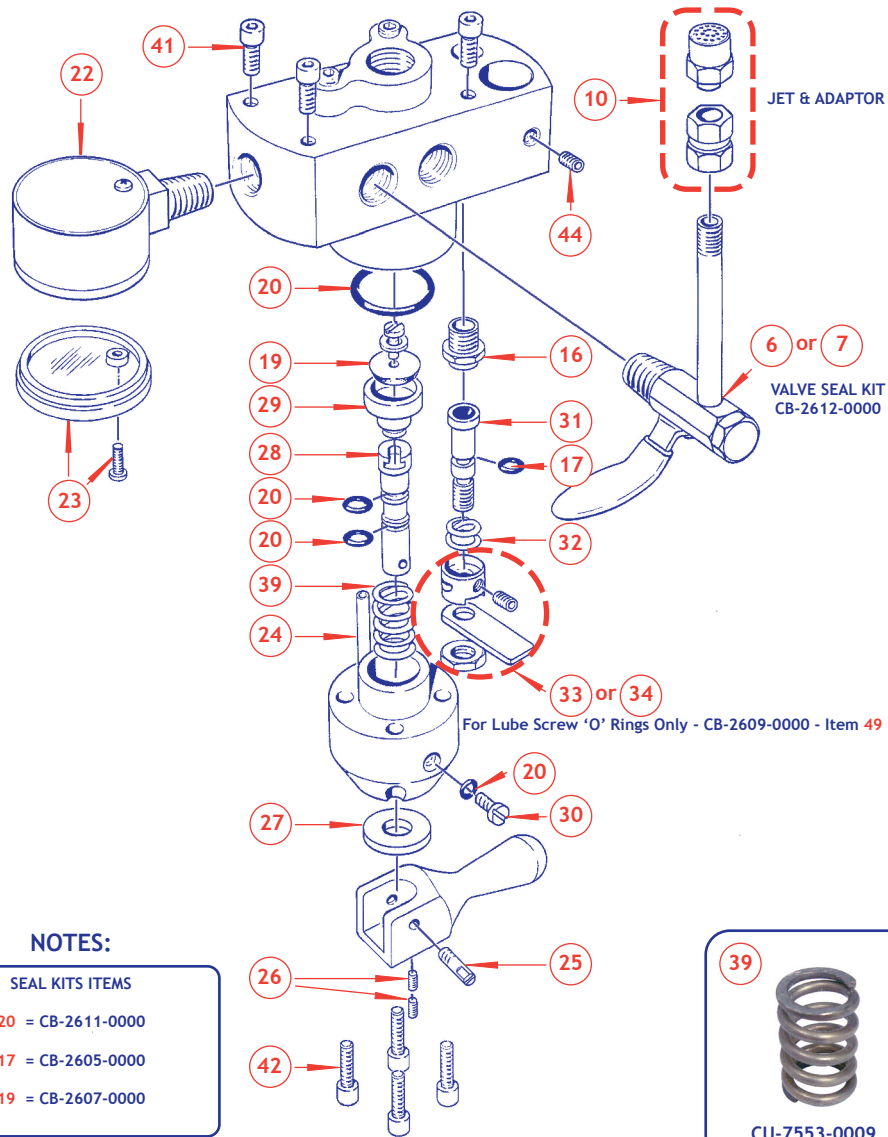
**IMPORTANT:**  
FOR ADVICE ON MISSING PARTS PLEASE CONTACT:  
[AFTERSALES@CAMERONBALLOONS.CO.UK](mailto:AFTERSALES@CAMERONBALLOONS.CO.UK)



Item #	Description	Part #
1	AMAL MAIN JET	CB-0214-0003
2	COPPER WASHER	CB-0214-0006
3	3/8 BSP SEALING RING - OUTER	CB-0392-0021
4	3/8 BSP SEALING RING - INNER	CB-0392-0022
5	SADDLE - Ø19mm TUBE (PLEASE SPECIFY - 4.76, 6.35, 11.11 OR 15.9mm) Ø25mm TUBE (PLEASE SPECIFY - 4.76, 6.35 OR 11.11mm)	CB-0543-0004
6	WHISPER VALVE (RIGHT HAND)	CB-0558-0001
7	WHISPER VALVE (LEFT HAND)	CB-0558-0002
8	3/8 OD CROSSFLOW ASSEMBLY CONTACT CAMERON BALLOONS FOR ADVICE	CB-0578-0000
9	Mk4 SUPER COIL (NO JETS - PLEASE SPECIFY LH OR RH)	CB-0584-2000
10	WHISPER JET & ADAPTOR	CB-0924-0001
12	M8 SPECIAL SCREW FOR BURNER CAN	CB-0737-0000
14	MULTI HOLE MAIN JET	CB-0923-0001
15	LEAK DUCT TUBE	CB-2140-0000
16	PILOT LIGHT SLEEVE	CB-2493-0000
17	PILOT LIGHT SERVICE KIT - 5 PKT	CB-2605-0000
18	VAPOUR PILOT LIGHT SERVICE KIT	CB-2606-0000
19	BLAST VALVE MAIN SEAL SERVICE KIT	CB-2607-0000
20	BLAST VALVE SERVICE KIT	CB-2611-0000
22	Mk4 SUPER PRESSURE GAUGE	CB-2887-0000
23	PRESSURE GAUGE LENS KIT - INC. SCREW	CU-2948-0002
24	LEAK DUCT TUBE	CU-4870-6000
25	MAIN VALVE PIVOT PIN	CU-4870-8000
26	HANDLE GRUB SCREW	CU-4870-9000
27	MAIN VALVE WASHER	CU-4871-0000
28	MAIN VALVE STEM	CU-4870-1000

Item #	Description	Part #
29	MAIN VALVE SHUTTER	CU-4871-3000
30	MAIN VALVE LUBE SCREW	CU-4871-8000
31	PILOT VALVE STEM (2 VARIANTS AVAILABLE) PLEASE SPECIFY IF EXISTING HANDLE HAS A WELDED NUT OR A FREE NUT	CU-4872-2000
32	PILOT VALVE SPRING	CU-4872-4000
33	PILOT VALVE HANDLE (LEFT HAND) SUPERSEDES WELDED TYPE HANDLE - MAY ALSO REQUIRE ITEM 31 - CONTACT FOR ADVICE	CU-4872-5001
34	PILOT VALVE HANDLE (RIGHT HAND) SUPERSEDES WELDED TYPE HANDLE - MAY ALSO REQUIRE ITEM 31 - CONTACT FOR ADVICE	CU-4872-6001
35	PILOT LIGHT FLAME TUBE	CU-4872-9000
36	PILOT LIGHT JET	CU-4873-0000
37	PILOT LIGHT FLAME CUP LH + RH - CONTACT FOR ADVICE	CU-4873-1000
38	IGNITER ASSEMBLY COMPLETE	CU-4873-3001
39	BLAST VALVE SPRING	CU-7553-0009
40	M5 x 16 RAISED CSK HEAD (SLOTTED)	CY-0005-5016
41	M6 x 10 CAP HEAD BOLT HEX SOCKET	CY-0006-3010
42	M6 x 20 CAP HEAD BOLT HEX SOCKET	CY-0006-3020
43	M6 x 6 GRUB SCREW HEX SOCKET	CY-0006-6006
45	M8 x 50 HEX HEAD BOLT	CY-0008-0050
46	M8 LOCK NUT	CY-0008-1003
47	M8 DOME NUT	CY-0008-1006
48	M8 PLAIN WASHER	CY-0008-2008
49	LUBE SCREW 'O' RINGS - 5 PKT	CB-2609-0000
50	2 x M6 x 6 GRUB SCREW HEX SOCKET - FLAT	CY-0006-6006
51	2 x M6 x 6 GRUB SCREW HEX SOCKET - POINTED	CY-1006-6006

## DOUBLE/TRIPLE/QUAD VALVE FITTINGS



### NOTES:

SEAL KITS ITEMS

20 = CB-2611-0000

17 = CB-2605-0000

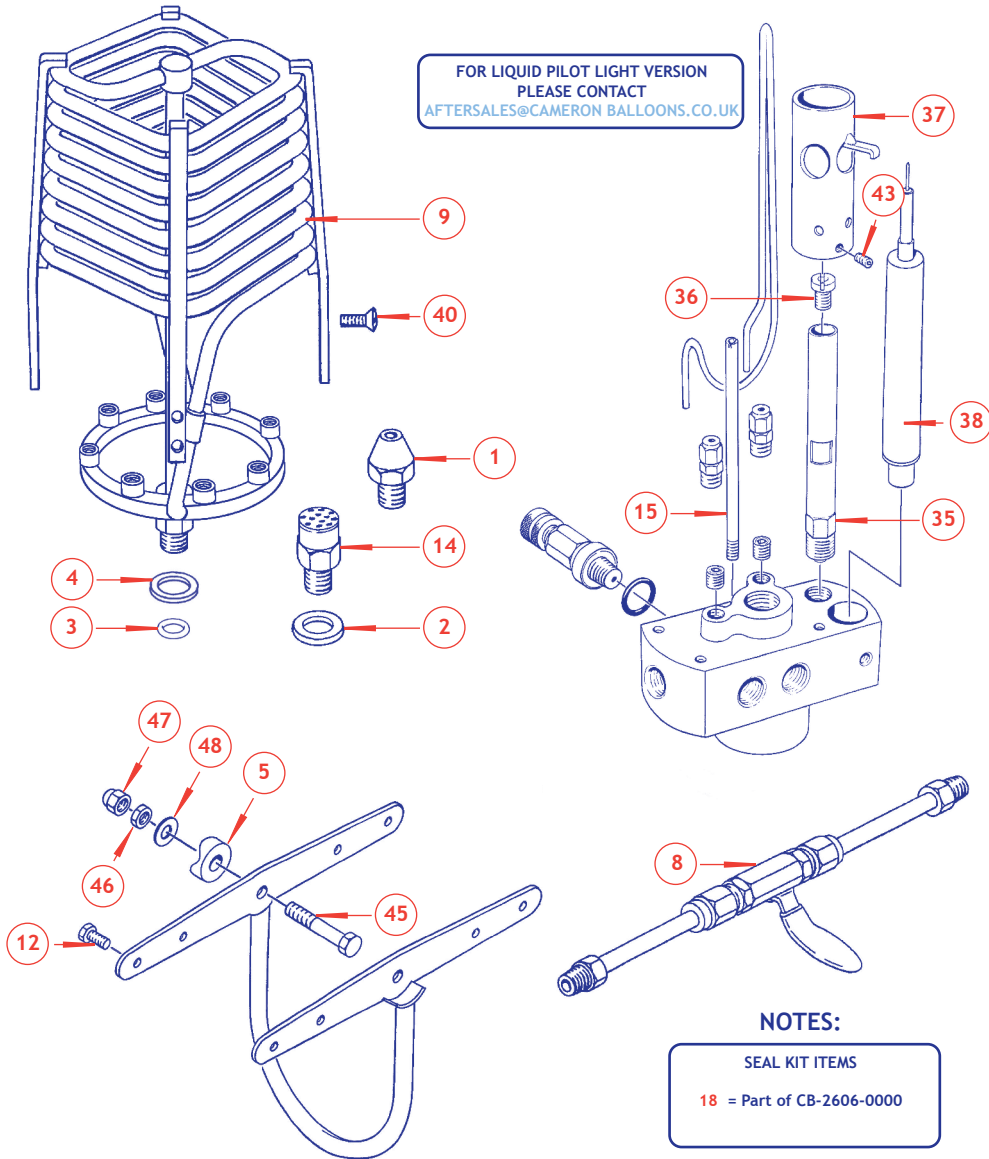
19 = CB-2607-0000

 <b>6</b> CB-0558-0001	 <b>7</b> CB-0558-0002	 <b>10</b> CB-0588-0003	 <b>16</b> CB-2493-0000	 <b>17</b> CB-2605-0000 PILOT LIGHT SERVICE KIT
 <b>19</b> CB-2607-0000 BLAST VALVE MAIN SEAL KIT	 <b>20</b> CB-2611-0000 BLAST VALVE SERVICE KIT	 <b>22</b> CB-2887-0000	 <b>23</b> CU-2948-0002 INC. SCREW	 <b>24</b> CU-4870-6000
 <b>25</b> CU-4870-8000	 <b>26</b> CU-4870-9000	 <b>27</b> CU-4871-0000	 <b>28</b> CU-4870-1000	 <b>29</b> CU-4871-3000
 <b>30</b> CU-4871-8000	 <b>31</b> CU-4872-2000 PLEASE SPECIFY IF EXISTING HANDLE HAS A WELDED NUT OR A FREE NUT	 <b>32</b> CU-4872-4000	 <b>33</b> CU-4872-5001 SUPERSEDES WELDED NUT HANDLE - MAY ALSO REQUIRE ITEM 31 - CONTACT FOR ADVICE	 <b>34</b> CU-4872-6001 SUPERSEDES WELDED NUT HANDLE - MAY ALSO REQUIRE ITEM 31 - CONTACT FOR ADVICE
 <b>39</b> CU-7553-0009	 <b>41</b> CY-0006-3010	 <b>42</b> CY-0006-3020	 <b>49</b> CB-2609-0000 LUBE SCREW 'O' RINGS	 <b>50</b> CY-0006-6006 FLAT
				 <b>51</b> CY-1006-6006 POINTED



## Double/Triple/Quad Manifold, Coil, Jets, Crossflow and Handle Fittings

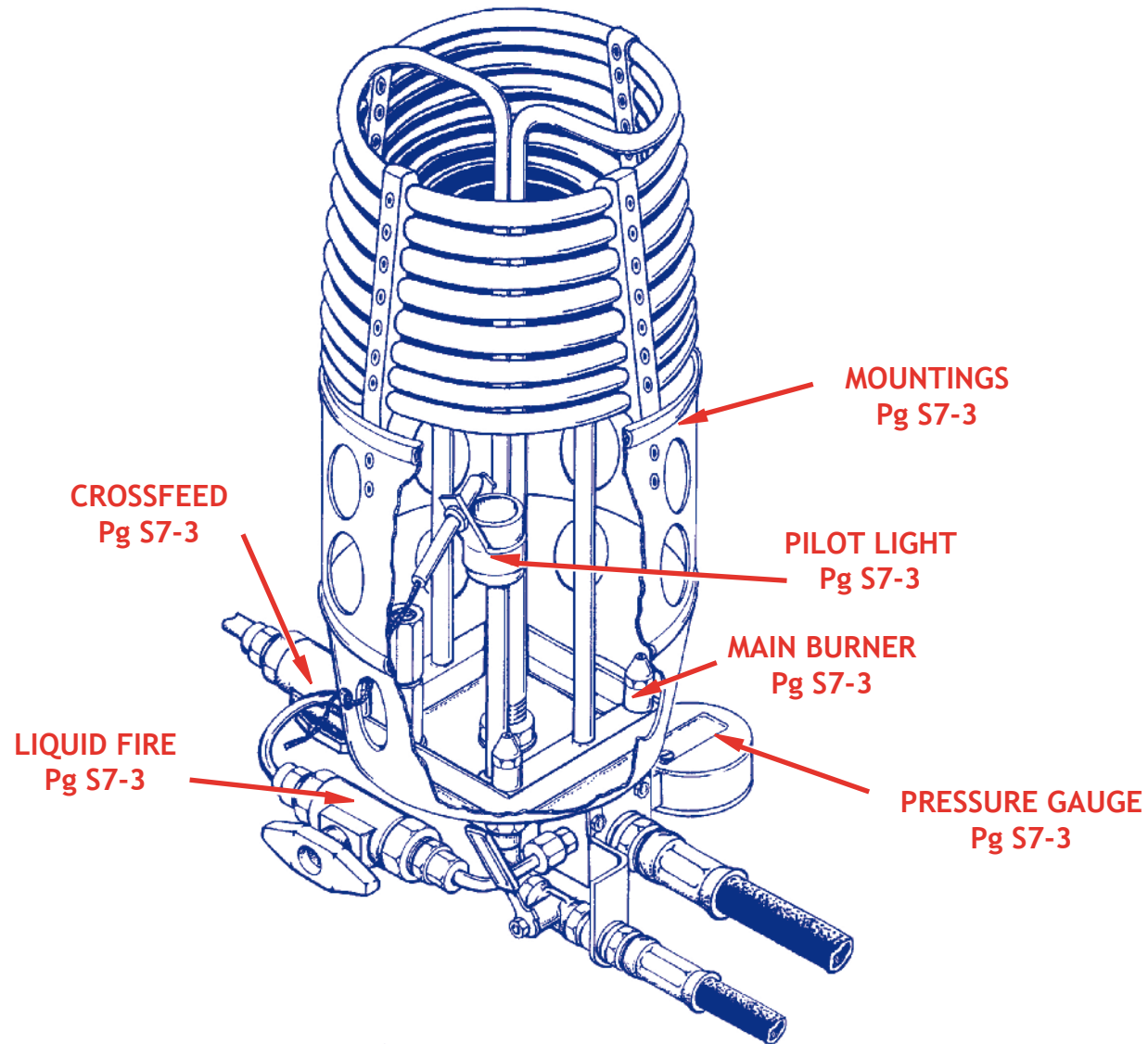
FOR LIQUID PILOT LIGHT VERSION  
PLEASE CONTACT  
AFTERSALES@CAMERON BALLOONS.CO.UK



<p>1</p> <p>CB-0214-0003</p>	<p>2</p> <p>CB-0214-0006</p>	<p>3</p> <p>CB-0392-0021</p>	<p>4</p> <p>CB-0392-0022</p>	<p>5</p> <p>CB-0543-0004 PLEASE SPECIFY TUBE Ø</p>
<p>8</p> <p>CB-0578-0000</p>	<p>9</p> <p>CB-0584-2000 (NO JETS) SPECIFY LH OR RH</p>	<p>12</p> <p>CB-0737-0000</p>	<p>14</p> <p>CB-0923-0001</p>	
<p>15</p> <p>CB-2140-0000</p>	<p>18</p> <p>CB-2606-0000</p>	<p>35</p> <p>CU-4872-9000</p>	<p>36</p> <p>CU-4873-0000</p>	<p>37</p> <p>CU-4873-1000 LH CONTACT CBL FOR ADVICE</p>
<p>38</p> <p>CU-4873-3001</p>	<p>40</p> <p>CY-0005-5016</p>	<p>43</p> <p>CY-0006-6006</p>	<p>45</p> <p>CY-0008-0050</p>	
<p>46</p> <p>CY-0008-1003</p>	<p>47</p> <p>CY-0008-1006</p>	<p>48</p> <p>CY-0008-2008</p>		

Intentionally Blank

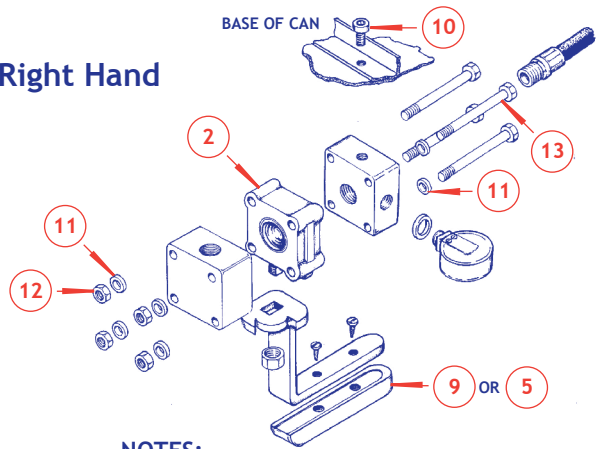
Item #	Description	Part #
2	WORCESTER BALL VALVE	CB-0392-0017
3	WORCESTER BALL VALVE HANDLE LH	CA-0000-8145 LH
4	WORCESTER BALL VALVE HANDLE RH	CA-0000-8145 RH
5	WOOD HANDLE TRIM (LIGHT)	CA-0000-8146 L
9	WOOD HANDLE TRIM (DARK)	CA-0000-8146 D
10	M6 x 10 CAP HEAD BOLT	CY-0006-3010
11	M6 WASHER	CY-0006-2008
12	M6 NYLOC NUT	CY-0006-1002
13	M6 x 90 BOLT	CY-0006-0090
19	TYPE 1520 MAIN JET	CA-0000-8014
20	MULTIHOLE MAIN JET (RETROFIT OPTION)	CA-0000-8345
21	WORCESTER VALVE SEAL KIT FOR ITEM 2	CB-0392-0018
22	1/8 NPT x 8mm COMPRESSION FITTING	CA-0000-8165
25	¼ BSP COPPER GASKET	CA-0000-8201
26	¼ BSP DYNAQUIP BALL VALVE	CA-0000-8049
27	DYNAQUIP VALVE HANDLE (RED)	CA-0000-8140
31	¼ BSP SPACER	CA-0000-8064
35	TYPE 3060 JET	CA-0000-8136
42	¼ BSP KLINGER VALVE (RIGHT HAND)	CA-0000-8017
47	C2 PILOT FLAME TUBE	CA-0000-8023
48	PIEZO IGNITER	CA-0000-8105
49	IGNITER HOUSING	CA-0000-8020
52	CONE HOUSING	CA-0000-8052
57	ELECTRODE MOUNTING BRACKET	CA-0000-8031
58	M5 x 10 BOLT	CY-0005-0010
65	M6 x 25 BOLT	CY-0006-0025
67	M6 AEROTIGHT LOCK NUT	CY-0006-1004
69	12mm x 60mm STANDPIPE	CA-0000-8044
70	3/8 BSP COPPER GASKET	CA-0000-8198
71	3/8 BSP DYNAQUIP BALL VALVE	CA-0000-8147
72	DYNAQUIP VALVE HANDLE (GREEN)	CA-0000-8141
73	No6 x ½" SCREW	CA-0000-8184





## Main Valve, Crossfeed, Coil, Jet & Liquid Fire Assembly

### Right Hand

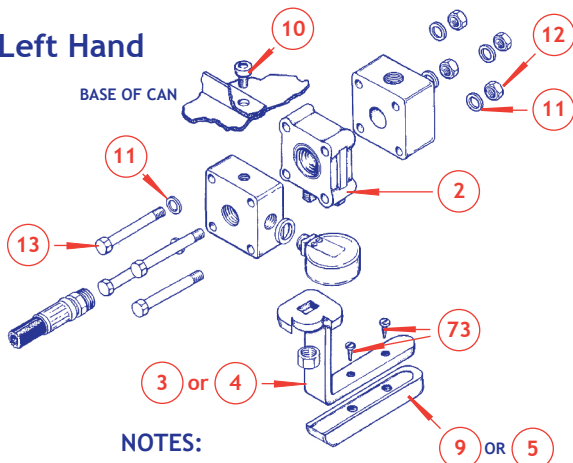


**NOTES:**

WORCESTER VALVE SEAL KIT

21 = CB-0392-0018

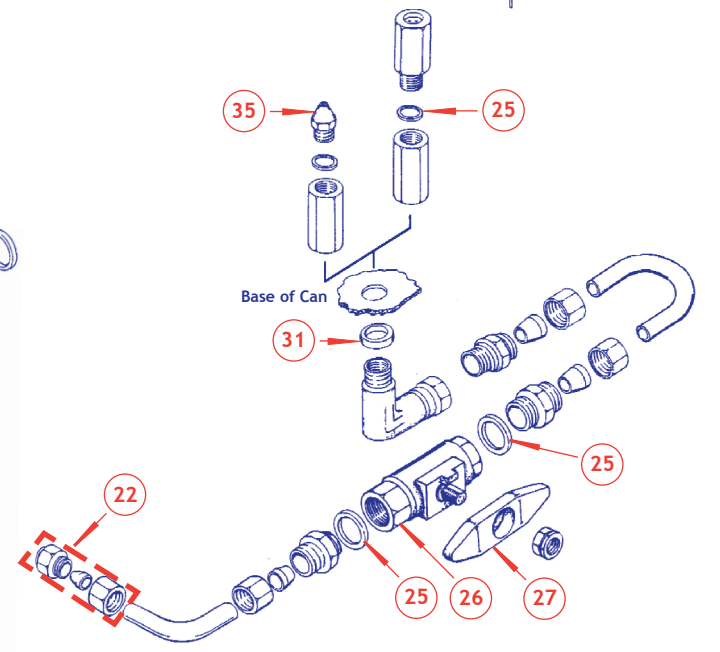
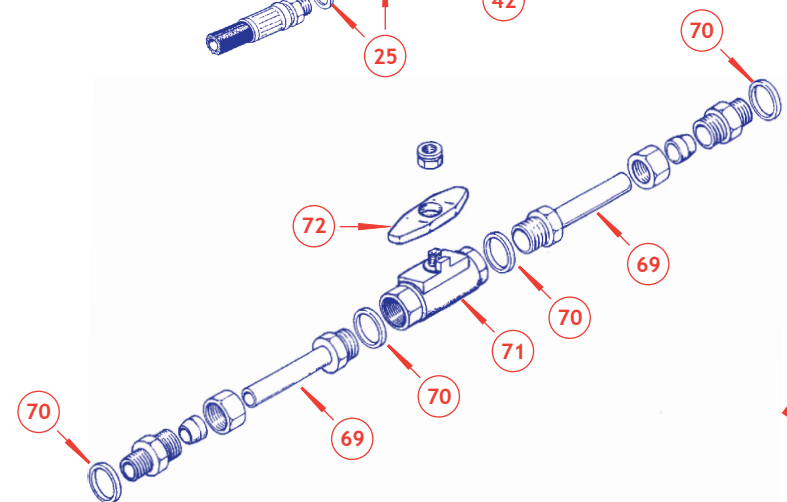
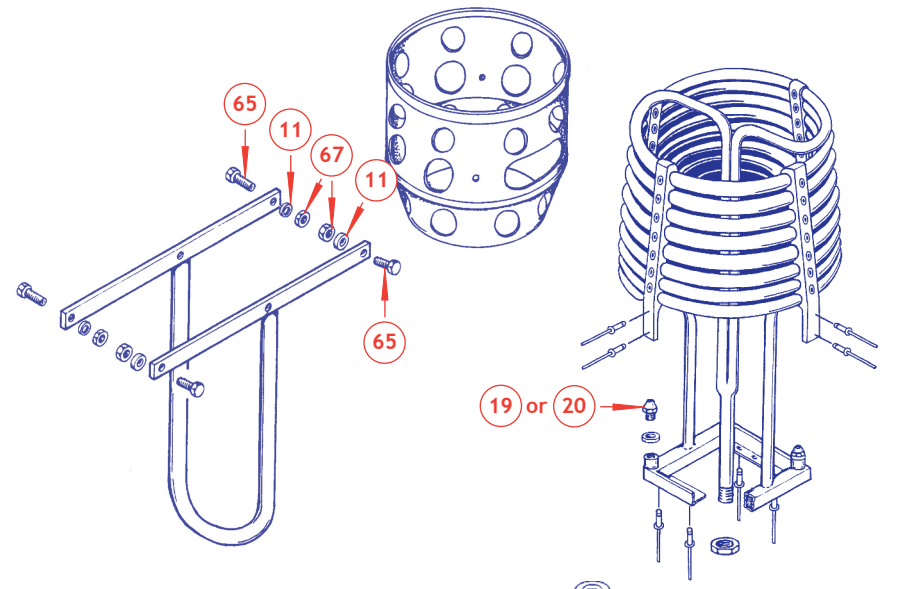
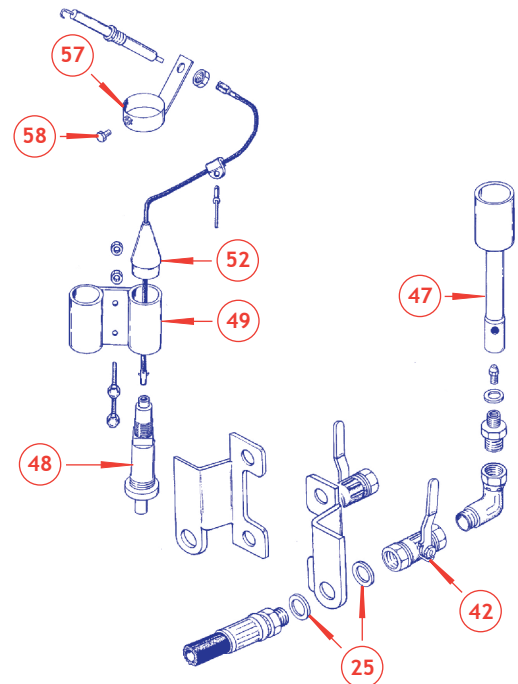
### Left Hand



**NOTES:**

WORCESTER VALVE SEAL KIT

21 = CB-0392-0018

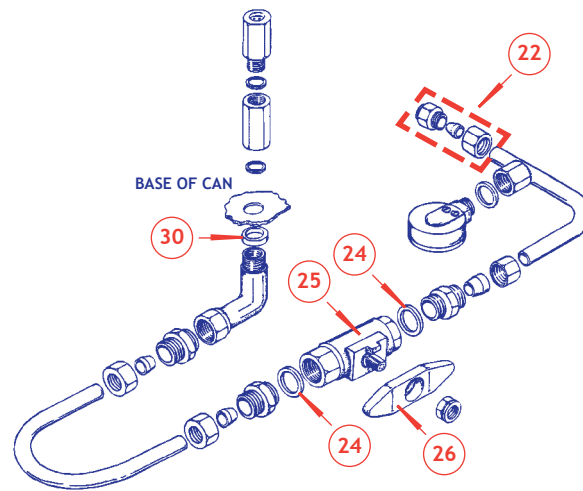
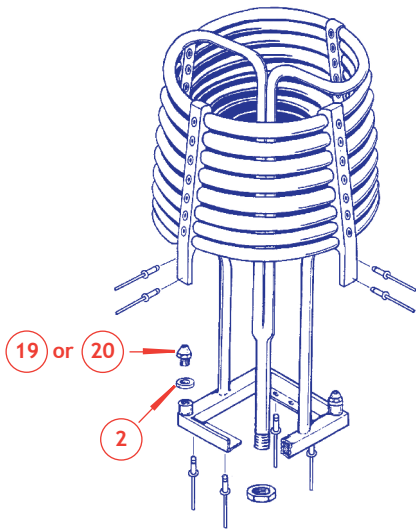
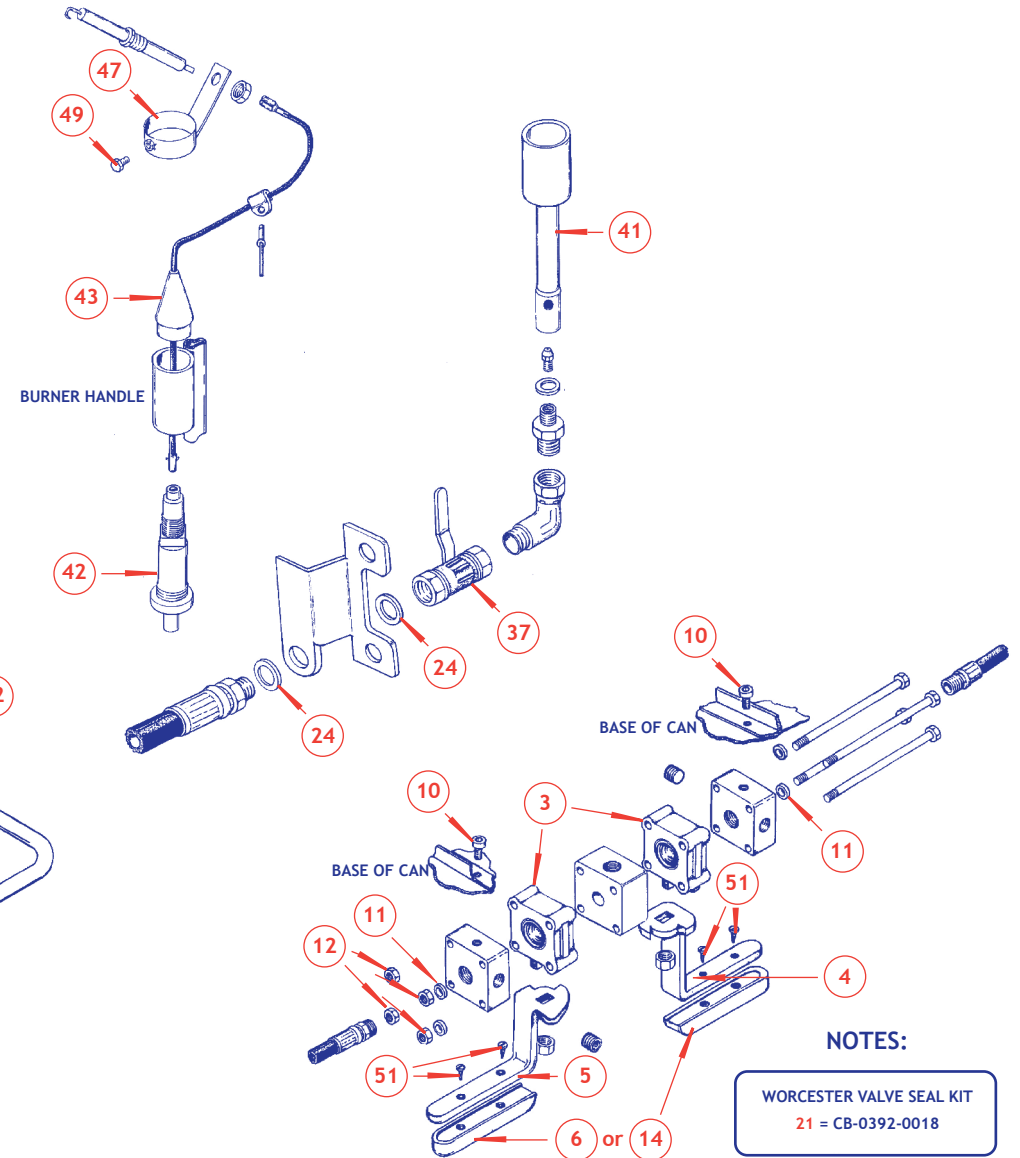


## Main Valve, Crossfeed, Coil, Jet & Liquid Fire Assembly

 CB-0392-0017	 CA-0000-8145LH	 CA-0000-8145RH	 CA-0000-8146L	 CA-0000-8146D	 CY-0006-3010	 CY-0006-2008	 CY-0006-1002	 CY-0006-0090
 CA-0000-8014	 CA-0000-8345	 CB-0392-0018	 CA-0000-8165	 CA-0000-8201	 CA-0000-8049	 CA-0000-8140	 CA-0000-8064	 CA-0000-8136
 CA-0000-8017	 CA-0000-8023	 CA-0000-8105	 CA-0000-8020	 CA-0000-8052	 CA-0000-8031	 CY-0005-0010	 CY-0006-0025	 CY-0006-1004
 CA-0000-8044	 CA-0000-8198	 CA-0000-8147	 CA-0000-8141	 CA-0000-8184				

## Main Valve, Liquid Fire, Coil & Piezo Igniter Assembly

Item #	Description	Part #
2	COPPER WASHER	CB-0214-0006
3	WORCESTER BALL VALVE	CB-0392-0017
4	WORCESTER BALL VALVE HANDLE (LEFT HAND)	CA-0000-8145 LH
5	WORCESTER BALL VALVE HANDLE (RIGHT HAND)	CA-0000-8145 RH
6	WOOD HANDLE TRIM (LIGHT)	CA-0000-8146 L
10	M6 x 10 CAP HEAD BOLT	CY-0006-3010
11	M6 WASHER	CY-0006-2008
12	M6 NYLOC NUT	CY-0006-1002
14	WOOD HANDLE TRIM (DARK)	CA-0000-8146 D
19	TYPE 1520 MAIN JET	CA-0000-8014
20	MULTIHOLE MAIN JET (RETROFIT OPTION)	CA-0000-8345
21	WORCESTER VALVE SEAL KIT	CB-0392-0018
22	1/8 NPT x 8mm COMPRESSION FITTING	CA-0000-8165
24	1/4 BSP COPPER GASKET	CA-0000-8201
25	1/4 BSP DYNAQUIP BALL VALVE	CA-0000-8049
26	DYNAQUIP VALVE HANDLE (RED)	CA-0000-8140
30	1/4 BSP SPACER	CA-0000-8064
37	1/4 BSP KLINGER VALVE	CA-0000-8017
41	C2 PILOT FLAME TUBE	CA-0000-8023
42	PIEZO IGNITER	CA-0000-8105
43	CONE HOUSING	CA-0000-8052
47	ELECTRODE MOUNTING BRACKET	CA-0000-8031
49	M5 x 10 BOLT	CY-0005-0010
51	No6 x 1/2" SCREW	CA-0000-8184

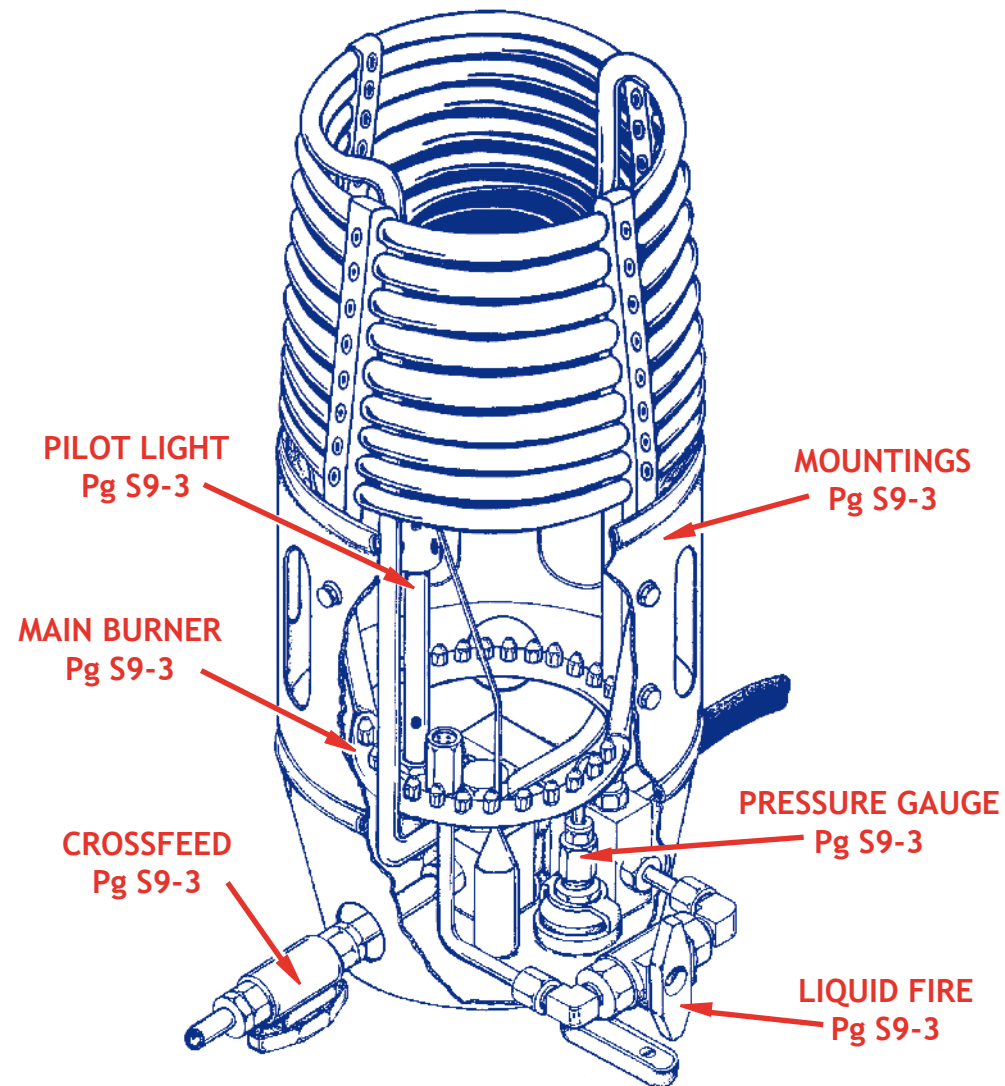


## Main Valve, Liquid Fire, Coil & Piezo Igniter Assembly

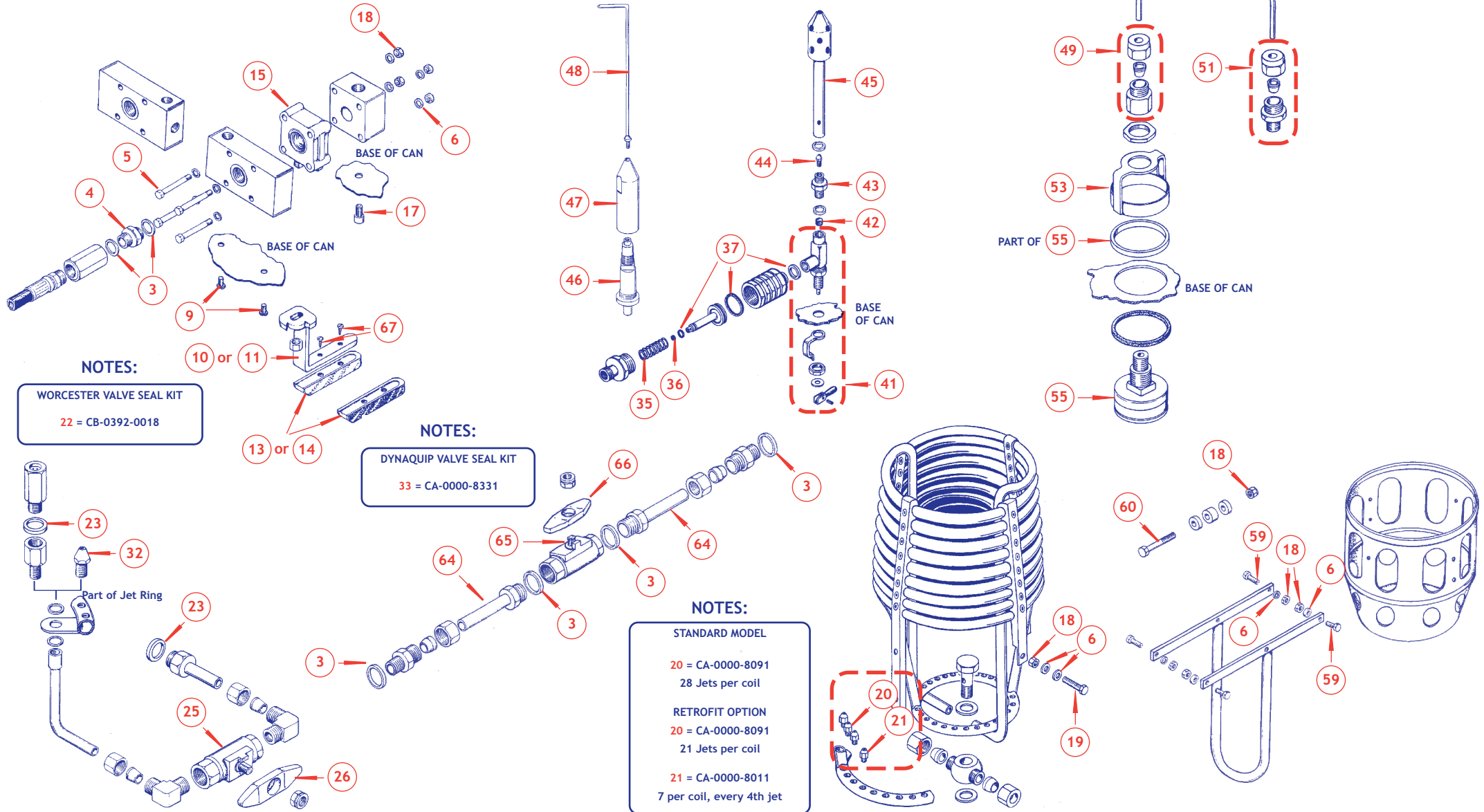
 CB-0214-0006	 CB-0392-0017	 CA-0000-8145LH	 CA-0000-8145RH	 CA-0000-8146L	 CY-0006-3010	 CY-0006-2008	 CY-0006-1002	 CA-0000-8146D
 CA-0000-8014	 CA-0000-8345	 CB-0392-0018	 CA-0000-8165	 CA-0000-8201	 CA-0000-8049	 CA-0000-8140	 CA-0000-8064	 CA-0000-8017
 CA-0000-8023	 CA-0000-8105	 CA-0000-8052	 CA-0000-8031	 CY-0005-0010	 CA-0000-8184			



Item #	Description	Part #
3	3/8 BSP COPPER GASKET	CA-0000-8198
4	3/8 BSPM TO 3/8 BSPM ADAPTOR	CA-0001-0018
5	M6 x 90 BOLT	CY-0006-0090
6	M6 WASHER	CY-0006-2008
9	4BA x 3/8 PAN HEAD BOLT	CA-0000-8130
10	WORCESTER BALL VALVE HANDLE (LEFT HAND)	CA-0000-8145 LH
11	WORCESTER BALL VALVE HANDLE (RIGHT HAND)	CA-0000-8145 RH
13	WOOD HANDLE TRIM (LIGHT)	CA-0000-8146 L
14	WOOD HANDLE TRIM (DARK)	CA-0000-8146 D
15	WORCESTER BALL VALVE	CB-0392-0017
17	M6 x 10 SOCKET BOLT	CY-0006-3010
18	M6 AEROTIGHT NUT	CY-0006-1004
19	M6 x 16 BOLT	CY-0006-0016
20	1.3mm MAIN JET	CA-0000-8091
21	1.6mm MAIN JET	CA-0000-8011
22	WORCESTER VALVE SEAL KIT	CB-0392-0018
23	¼ BSP COPPER GASKET	CA-0000-8201
25	¼ BSP DYNAQUIP BALL VALVE	CA-0000-8049
26	DYNAQUIP VALVE HANDLE (RED)	CA-0000-8140
32	TYPE 3060 JET	CA-0000-8136
35	VAPORISER SPRING	CA-0000-8101
36	PISTON END SEAL	CB-8552-0000
37	MAGNUM VAPORISER SEAL KIT	CB-8635-0000
41	HOKE VALVE	CA-0000-8109
	<b>NO REPAIR KIT IS AVAILABLE FOR THE HOKE VALVE</b>	
42	SINTERED FILTER (6MM DIAMETER)	CA-0000-8154
43	1/8 BSP TO 1/8 BSP ADAPTOR TAPPED 1BA	CA-0000-8090
44	LIQUID PILOT LIGHT JET	CB-8550-0000
45	PILOT FLAME TUBE	CA-0000-8112
46	PIEZO IGNITER	CA-0000-8105
47	IGNITER HOUSING	CA-0000-8106
48	C3 ELECTRODE	CA-0000-8290
49	1/8 NPTM x 1/8 COMPRESSION FITTING	CB-2472-0002
51	1/8 NPTF x 1/8 COMPRESSION FITTING	CB-8589-0000
53	PRESSURE GAUGE BRACKET	CA-0000-8238
55	PRESSURE GAUGE	CB-8590-0000
59	M6 x 25 BOLT	CY-0006-0025
60	M6 x 45 BOLT	CY-0006-0045
64	12mm x 60mm STANDPIPE	CA-0000-8044
65	3/8 BSP DYNAQUIP BALL VALVE	CA-0000-8147
66	DYNAQUIP VALVE HANDLE (GREEN)	CA-0000-8141
67	No6 x ½" SCREW	CA-0000-8184



## Main Valve, Liquid Fire, Coil, Jet, Crossfeed, Piezo Igniter & Pressure Gauge Assembly



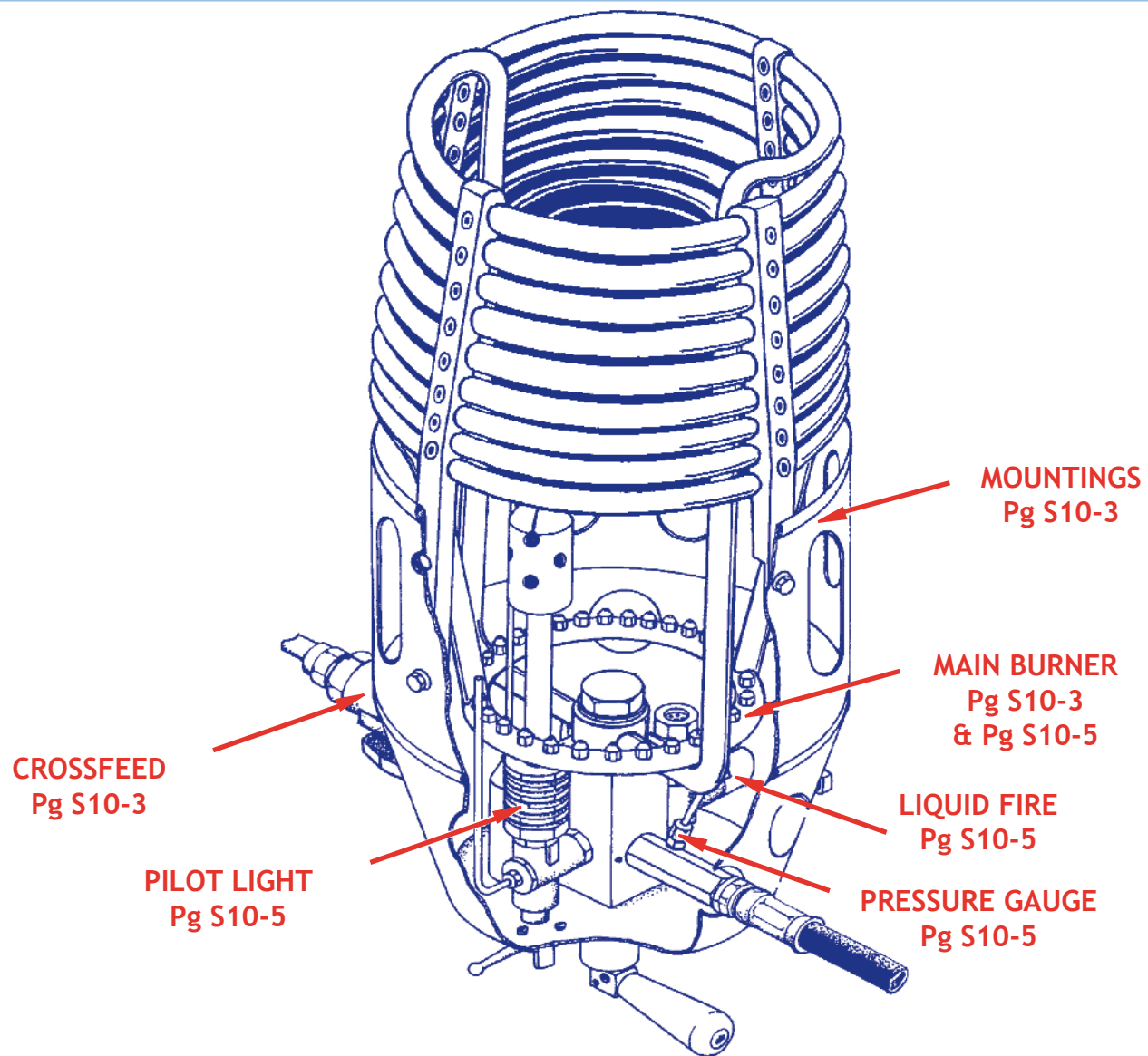
## Main Valve, Liquid Fire, Coil, Jet, Crossfeed, Piezo Igniter & Pressure Gauge Assembly

 <p>3 CA-0000-8198</p>	 <p>4 CA-0001-0018</p>	 <p>5 CY-0006-0090</p>	 <p>6 CY-0006-2008</p>	 <p>9 CA-0000-8130</p>	 <p>10 CA-0000-8145LH</p>	 <p>11 CA-0000-8145RH</p>	 <p>13 CA-0000-8146L</p>	 <p>14 CA-0000-8146D</p>
 <p>15 CB-0392-0017</p>	 <p>17 CY-0006-3010</p>	 <p>18 CY-0006-1004</p>	 <p>19 CY-0006-0016</p>	 <p>20 CA-0000-8091</p>	 <p>21 CA-0000-8011</p>	 <p>22 CB-0392-0018</p>	 <p>23 CA-0000-8201</p>	 <p>25 CA-0000-8049</p>
 <p>26 CA-0000-8140</p>	 <p>32 CA-0000-8136</p>	 <p>35 CA-0000-8101</p>	 <p>36 CB-8552-0000</p>	 <p>37 CB-8635-0000</p>	 <p>41 CA-0000-8109</p>	 <p>42 CA-0000-8154 6MM DIA.</p>	 <p>43 CA-0000-8090</p>	 <p>44 CB-8550-0000</p>
 <p>45 CA-0000-8112</p>	 <p>46 CA-0000-8105</p>	 <p>47 CA-0000-8106</p>	 <p>48 CA-0000-8290</p>	 <p>49 CB-2472-0002</p>	 <p>51 CB-8589-0000</p>	 <p>53 CA-0000-8238</p>	 <p>55 CB-8590-0000</p>	 <p>59 CY-0006-0025</p>
 <p>60 CY-0006-0045</p>	 <p>64 CA-0000-8044</p>	 <p>65 CA-0000-8147</p>	 <p>66 CA-0000-8141</p>	 <p>67 CA-0000-8184</p>				

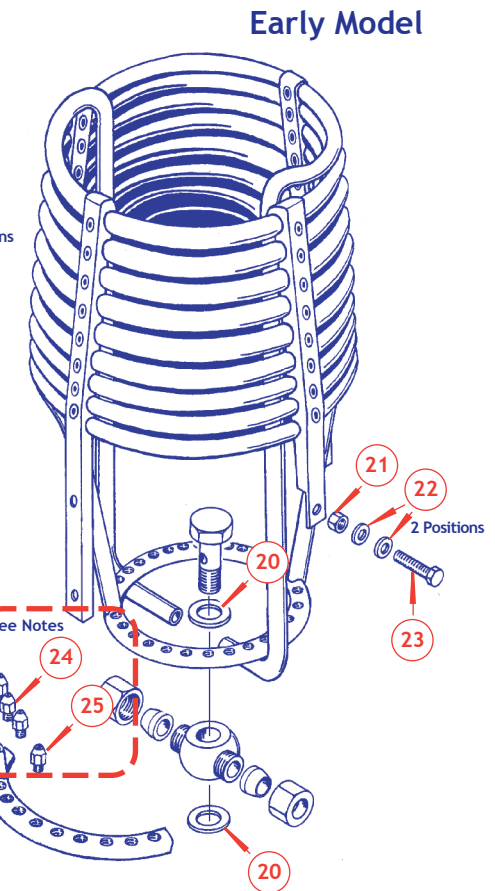
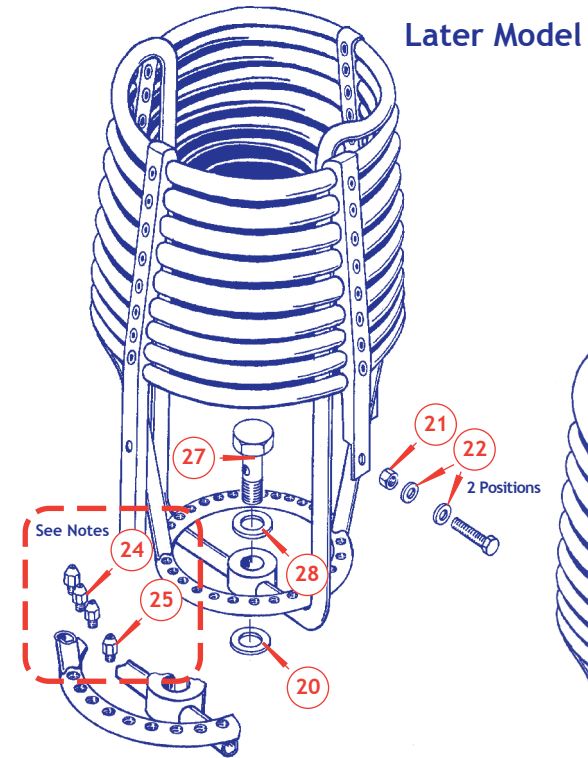
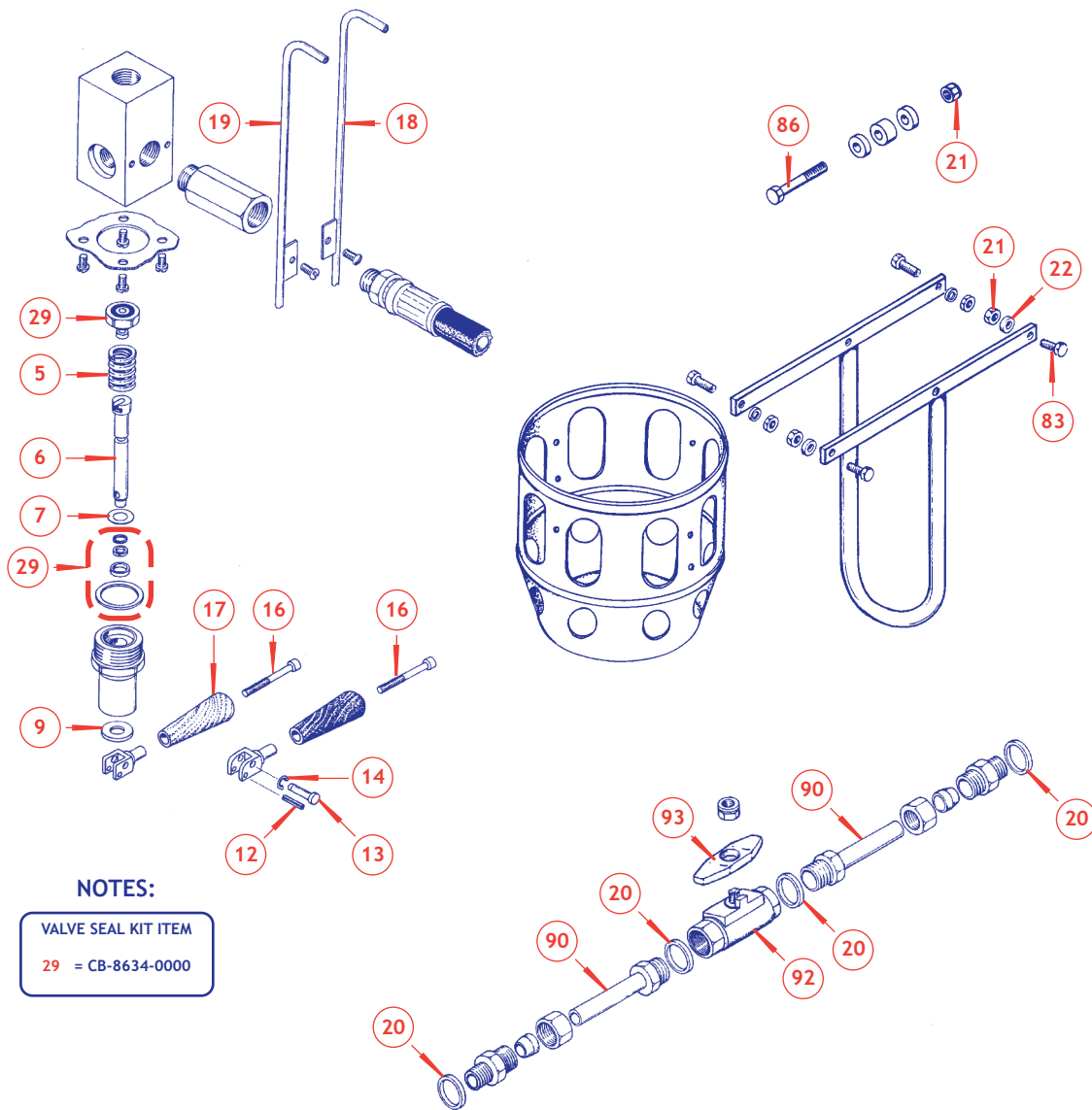


Item #	Description	Part #
5	VALVE SPRING	CU-7553-0009
6	VALVE STEM	CA-0000-8210
7	M8 WASHER	CY-0008-2008
9	WEAR PAD	CA-0000-8227
12	4mm ROLL PIN	CA-0000-8220
13	TOGGLE / PIVOT PIN	CA-0000-8299
14	TOGGLE / PIVOT PIN CIRCLIP (5MM)	CA-0000-8300
16	M5 x 45 CAP HEAD BOLT	CY-0005-3045
17	LIGHT WOOD HANDLE (LEFT HAND)	CA-0000-8222
18	SLURPER TUBE (LEFT HAND)	CA-0000-8193 LH
19	SLURPER TUBE (RIGHT HAND)	CA-0000-8193 RH
20	3/8 BSP COPPER GASKET	CA-0000-8198
21	M6 AEROTIGHT NUT	CY-0006-1004
22	M6 WASHER	CY-0006-2008
23	M6 x 16 BOLT	CY-0006-0016
24	1.3mm MAIN JET	CA-0000-8091
25	1.6mm MAIN JET	CA-0000-8011
27	BANJO BOLT	CA-0000-8196
28	COPPER GASKET	CA-0000-8245
29	MAGNUM MAIN VALVE SEAL KIT	CB-8634-0000
30	¼ BSP COPPER GASKET	CA-0000-8201
31	¼ BSP THREADED INSERT	CA-0000-8241
33	ALUMINIUM STOP TUBE	CA-0000-8244
34	DYNAQUIP VALVE HANDLE (RED)	CA-0000-8140
36	LEGRIS BALL VALVE SEAL KIT	CA-0000-8342
42	PISTON END SEAL	CB-8552-0000

Item #	Description	Part #
43	VAPORISER SPRING	CA-0000-8101
44	MAGNUM VAPORISER SEAL KIT	CB-8635-0000
47	LIQUID PILOT LIGHT JET	CB-8550-0000
49	PILOT FLAME TUBE	CA-0000-8112
51	VENT TUBE	CA-0000-8233
53	O-RING (STOP PLATE WATER SEAL) (I.D. 30 x Ø1.5) (DOWTY No 206-030)	CA-0000-8296
56	PILOT LIGHT VALVE STEM (PRE MOD T157)	CA-0000-8317
60	PILOT VALVE HANDLE (YELLOW)	CA-0000-8232
61	M5 x 13 CSK HEAD BOLT	CY-0005-5013
63	PIEZO IGNITER	CA-0000-8105
64	IGNITER HOUSING (PRE MOD T157)	CA-0000-8106
65	C3 ELECTRODE (PRE MOD T157)	CA-0000-8290
66	IGNITER INSULATOR	CA-0000-8310
67	M22 THIN NUT	CA-0000-8307
68	NYLON WASHER	CA-0000-8306
71	CERAMIC TUBE	CA-0000-8282
73	1/8 NPTM x 1/8 COMPRESSION FITTING	CB-2472-0002
75	1/8 NPTF x 1/8 COMPRESSION FITTING	CB-8589-0000
77	PRESSURE GAUGE BRACKET	CA-0000-8238
79	PRESSURE GAUGE	CB-8590-0000
83	M6 x 25 BOLT	CY-0006-0025
86	M6 x 45 BOLT	CY-0006-0045
90	12mm x 60mm STANDPIPE	CA-0000-8044
92	3/8 BSP DYNAQUIP BALL VALVE	CA-0000-8147
93	DYNAQUIP VALVE HANDLE (GREEN)	CA-0000-8141
94	LARGE SINTERED FILTER	CA-0000-8102



## Toggle Valve, Coils, Handle, Crossfeed and Jet Assembly

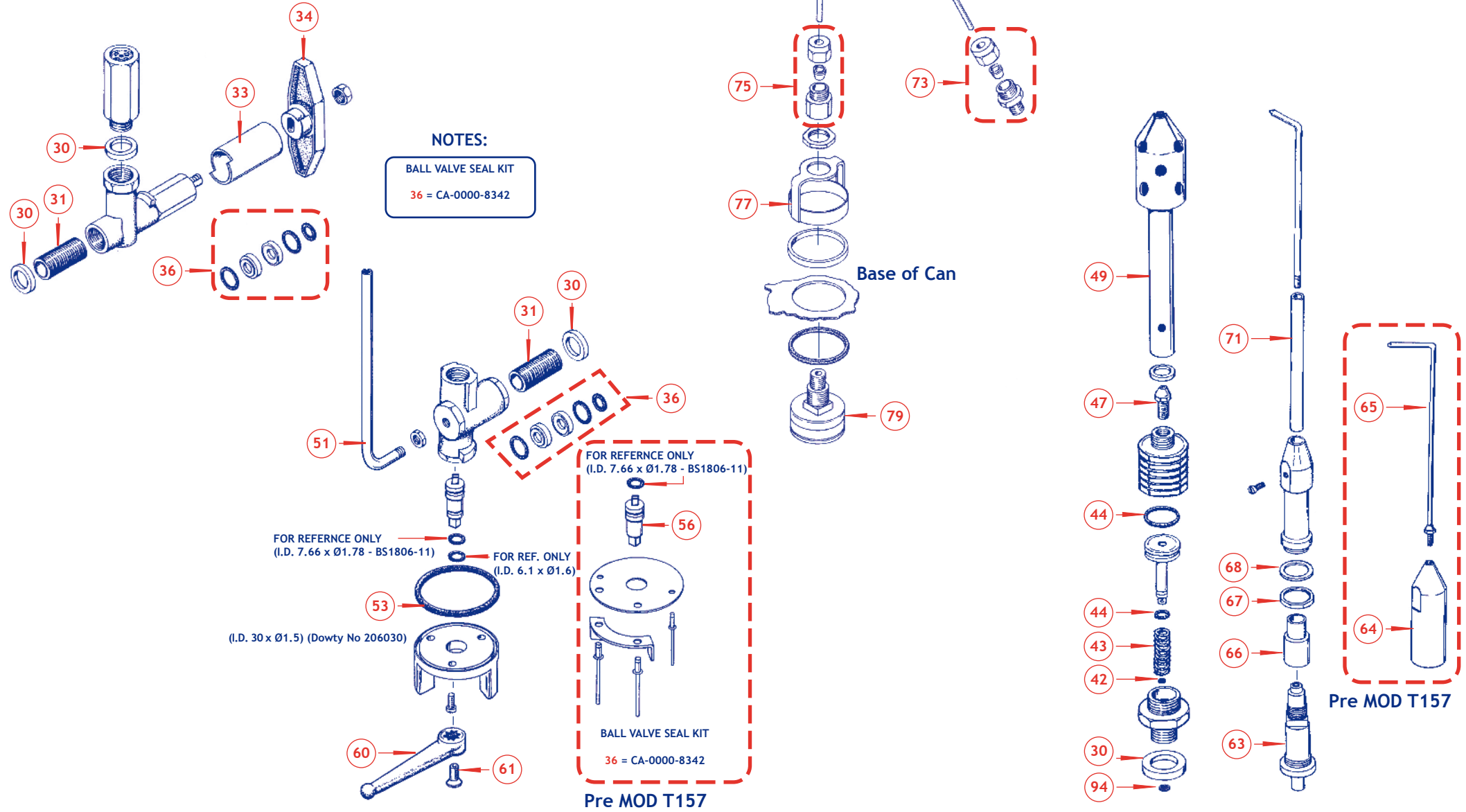


## Toggle Valve, Coils, Handle, Crossfeed and Jet Assembly

 <p>5 CU-7553-0009</p>	 <p>6 CA-0000-8210</p>	 <p>7 CY-0008-2008</p>	 <p>9 CA-0000-8227</p>	 <p>12 CA-0000-8220</p>	 <p>13 CA-0000-8299</p>	 <p>14 CA-0000-8300</p>	 <p>16 CY-0005-3045</p>	 <p>17 CA-0000-8222</p>
 <p>18 CA-0000-8193L (LH)</p>	 <p>19 CA-0000-8193R (RH)</p>	 <p>20 CA-0000-8198</p>	 <p>21 CY-0006-1004</p>	 <p>22 CY-0006-2008</p>	 <p>23 CY-0006-0016</p>	 <p>24 CA-0000-8091</p>	 <p>25 CA-0000-8011</p>	 <p>27 CA-0000-8196</p>
 <p>28 CA-0000-8245</p>	 <p>29 CB-8634-0000</p>	 <p>83 CY-0006-0025</p>	 <p>86 CY-0006-0045</p>	 <p>90 CA-0000-8044</p>	 <p>92 CA-0000-8147</p>	 <p>93 CA-0000-8141</p>		



## Liquid Fire, Pilot Light Valve, Pilot Light & Piezo Assembly



## Liquid Fire, Pilot Light Valve, Pilot Light & Piezo Assembly

 <p>30 CA-0000-8201</p>	 <p>31 CA-0000-8241</p>	 <p>33 CA-0000-8244</p>	 <p>34 CA-0000-8140</p>	 <p>36 CA-0000-8342</p>	 <p>42 CB-8552-0000</p>	 <p>43 CA-0000-8101</p>	 <p>44 CB-8635-0000</p>	 <p>47 CB-8550-0000</p>
 <p>49 CA-0000-8112</p>	 <p>51 CA-0000-8233</p>	 <p>53 CA-0000-8296</p>	 <p>56 CA-0000-8317 PRE MOD T157</p>	 <p>60 CA-0000-8232</p>	 <p>61 CY-0005-5013</p>	 <p>63 CA-0000-8105</p>	 <p>64 CA-0000-8106 PRE MOD T157</p>	 <p>65 CA-0000-8290 PRE MOD T157</p>
 <p>66 CA-0000-8310</p>	 <p>67 CA-0000-8307</p>	 <p>68 CA-0000-8306</p>	 <p>71 CA-0000-8282</p>	 <p>73 CB-2472-0002</p>	 <p>75 CB-8589-0000</p>	 <p>77 CA-0000-8238</p>	 <p>79 CB-8590-0000</p>	 <p>94 CA-0000-8102</p>

Item #	Description	Part #
<b>SHADOW, STEALTH, SIROCCO, MK4 SUPER LIQUID HOSE ASSY (3/8 NOMINAL BORE)</b>		
<b>HOSES WITH SWAGED END FITTINGS, REGO, (NO COUPLINGS)</b>		
1	ø3/8, ¼NPT - ¼NPT, 2.6M (DOUBLE)	CB-7626-1100
2	ø3/8, ¼NPT - ¼NPT, 4.0M (TRIPLE/QUAD)	CB-7640-1100
<b>HOSES WITH SWAGED END FITTINGS, TEMA, OR HI-FLOW (NO COUPLINGS)</b>		
3	ø3/8, ¼NPT - 3/8BSP (G3/8), 2.6M (DOUBLE)	CB-7626-1400
4	ø3/8, ¼NPT - 3/8BSP (G3/8), 4.0M (TRIPLE/QUAD)	CB-7640-1400
<b>HOSES, COMPLETE WITH ONE REGO COUPLING</b>		
5	ø3/8, ¼NPT - ¼NPT, 2.6M, REGO COUPLING (DOUBLE)	CB-7626-1110
6	ø3/8, ¼NPT - ¼NPT, 4.0M, REGO COUPLING (TRIPLE / QUAD)	CB-7640-1110
<b>HOSES, COMPLETE WITH ONE TEMA COUPLING</b>		
7	ø3/8, ¼NPT - 3/8BSP (G3/8), 2.6M, TEMA (DOUBLE)	CB-7626-1420
8	ø3/8, ¼NPT - 3/8BSP (G3/8), 4.0M, TEMA (TRIPLE/QUAD)	CB-7640-1420
<b>HOSES, COMPLETE WITH ONE HI-FLOW COUPLING</b>		
178	ø3/8, ¼NPT - 3/8BSP (G3/8), 2.6M, HI-FLOW (DOUBLE)	CB-7626-1450
179	ø3/8, ¼NPT - 3/8BSP (G3/8), 4.0M, HI-FLOW (TRIPLE/QUAD)	CB-7640-1450
<b>STRATUS NEO, STRATUS, MAGNUM (C3T), C3 (MKIII), C2 (MKII) LIQUID HOSE ASSY (3/8 NOMINAL BORE)</b>		
<b>HOSES WITH SWAGED END FITTINGS, REGO, (NO COUPLINGS)</b>		
3	ø3/8, ¼NPT - 3/8BSP (G3/8), 2.6M (DOUBLE)	CB-7626-1400
4	ø3/8, ¼NPT - 3/8BSP (G3/8), 4.0M (TRIPLE/QUAD)	CB-7640-1400
<b>HOSES WITH SWAGED END FITTINGS, TEMA, OR HI-FLOW (NO COUPLINGS)</b>		
9	ø3/8, 3/8BSP - 3/8BSP (G3/8), 2.6M (DOUBLE)	CB-7626-4400
10	ø3/8, 3/8BSP - 3/8BSP (G3/8), 4.0M (TRIPLE/QUAD)	CB-7640-4400
<b>HOSES, COMPLETE WITH ONE REGO COUPLING</b>		
11	ø3/8, ¼NPT - 3/8BSP, 2.6M, REGO COUPLING (DOUBLE)	CB-7626-1410
12	ø3/8, ¼NPT - 3/8BSP, 4.0M, REGO COUPLING (TRIPLE/QUAD)	CB-7640-1410
<b>HOSES, COMPLETE WITH ONE TEMA COUPLING</b>		
13	ø3/8, 3/8BSP - 3/8BSP, 2.6M, TEMA COUPLING (DOUBLE)	CB-7626-4420
14	ø3/8, 3/8BSP - 3/8BSP, 4.0M, TEMA COUPLING (TRIPLE/QUAD)	CB-7640-4420
<b>HOSES, COMPLETE WITH ONE HI-FLOW COUPLING</b>		
180	ø3/8, 3/8BSP - 3/8BSP, 2.6M, HI-FLOW COUPLING (DOUBLE)	CB-7626-4450
181	ø3/8, 3/8BSP - 3/8BSP, 4.0M, HI-FLOW COUPLING (TRIPLE/QUAD)	CB-7640-4450

**\* IMPORTANT:**

ITEMS 15 & 16 MUST BE USED ON TRIPLE & QUAD BURNERS  
WHEN FITTED WITH CROSSFEED

Item #	Description	Part #
<b>STRATUS NEO, SAFIRE, STRATUS, TRIPLE/QUAD, CROSSFLOW LIQUID HOSE ASSY, TEMA OR HI-FLOW ONLY (½ NOMINAL BORE)</b>		
<b>HOSES WITH SWAGED END FITTINGS (NO COUPLINGS)</b>		
*15	ø3/8, 3/8BSP - 3/8BSP (G3/8), 4.0M (TRIPLE/QUAD)	CB-7840-4400
*15	ø1/2, 3/8BSP - 3/8BSP (G3/8), 4.0M (TRIPLE/QUAD)	CB-7840-4450
<b>HOSES, COMPLETE WITH ONE TEMA COUPLING</b>		
*16	ø1/2, 3/8BSP - 3/8BSP, 4.0M, TEMA COUPLING (TRIPLE/QUAD)	CB-7840-4420
<b>HOSES, COMPLETE WITH ONE HI-FLOW COUPLING</b>		
182	ø1/2, 3/8BSP - 3/8BSP, 4.0M, HI-FLOW COUPLING (TRIPLE/QUAD)	CB-7840-4450
<b>SHADOW, STEALTH, MK4 SUPER VAPOUR HOSE ASSY (¼ NOMINAL BORE)</b>		
17	ø¼, ¼NPT - DYNAQUIP MALE, 1.8M (DOUBLE)	CB-7418-1800
18	ø¼, ¼NPT - DYNAQUIP MALE, *. *M (TRIPLE/QUAD)	CB-74**-1800
19	ø¼, ¼NPT - TEMA MALE, 1.8M (DOUBLE)	CB-7418-1700
20	ø¼, ¼NPT - TEMA MALE, *. *M (TRIPLE/QUAD)	CB-74**-1700
*. *M = PLEASE SPECIFY HOSE LENGTH REQUIRED		
<b>MAGNUM (C3T), C3 (MKIII), C2 (MKII) VAPOUR HOSE ASSY (¼ NOMINAL BORE)</b>		
21	ø¼, ¼BSP - DYNAQUIP MALE, 1.8M (DOUBLE)	CB-7418-2800
22	ø¼, ¼BSP - DYNAQUIP MALE, *. *M (TRIPLE/QUAD)	CB-74**-2800
23	ø¼, ¼BSP - TEMA MALE, 1.8M (DOUBLE)	CB-7418-2700
24	ø¼, ¼BSP - TEMA MALE, 1.8M (TRIPLE/QUAD)	CB-74**-2700
*. *M = PLEASE SPECIFY HOSE LENGTH REQUIRED		
<b>6LB VAPOUR CYLINDER</b>		
168	ø¼, ¼NPT - DYNAQUIP MALE, 0.6M	CB-7406-1800
169	ø¼, ¼NPT - TEMA MALE, 0.6M	CB-7406-2700
<b>MANIFOLD SYSTEMS</b>		
25	MANIFOLD - 2 CYL - 1 X REGO MALE TO 2 X REGO FEMALE	CB-0440-1000
26	MANIFOLD - 2 CYL - REGO - ALTERATIVE ASSEMBLY	CB-0440-5000
27	MANIFOLD - 2 CYL - 1 X TEMA MALE TO 2 X TEMA FEMALE	CB-0440-3000
28	MANIFOLD - 2 CYL - 1 X TEMA MALE TO 2 X REGO FEMALE	CB-0440-7000
29	MANIFOLD - 3 CYL - 1 X REGO MALE TO 3 X REGO FEMALE	CB-0440-2000
30	MANIFOLD - 3 CYL - 1 X TEMA MALE TO 3 X TEMA FEMALE	CB-0440-4000
31	MANIFOLD - 3 CYL - REGO - ALTERNATIVE ASSEMBLY	CB-0440-6000
32	MANIFOLD - 3 CYL - 1 X TEMA MALE TO 3 X REGO FEMALE	CB-0440-8000
<b>BARE MANIFOLD HOSE ONLY</b>		
33	0.3M MANIFOLD HOSE (REGO) - ¼NPT / ¼NPT	CB-7603-1100
34	0.3M MANIFOLD HOSE (TEMA) - ¼NPT / 3/8BSP	CB-7603-1400
35	0.5M MANIFOLD HOSE (REGO) - ¼NPT / ¼NPT	CB-7605-1100
36	0.5M MANIFOLD HOSE (TEMA) - ¼NPT / 3/8BSP	CB-7605-1400

Item #	Description	Part #
<b>REFUELLING HOSES</b>		
65	REGO - CARGAS 3/4BSP BAYONET HOSE ASSEMBLY	CB-2579-0001
66	REGO - REGO 76475C BAYONET HOSE ASSEMBLY	CB-2579-0003
67	REGO - 1 3/4 ACME CARGAS - TYPE 2 (GERMANY/IRELAND)	CB-2579-0004
68	REGO - CARGAS ADAPTOR - TYPE 3 (FRANCE/ITALY)	CB-2579-0005
69	TEMA - CARGAS 3/4BSP BAYONET HOSE ASSEMBLY	CB-2579-0002
70	TEMA - REGO 76475C BAYONET HOSE ASSEMBLY	CB-2579-0006
71	TEMA - 1 3/4 ACME CARGAS - TYPE 2 (GERMANY/IRELAND)	CB-2579-0007
72	TEMA - CARGAS ADAPTOR - TYPE 3 (FRANCE/ITALY)	CB-2579-0008
ITEMS 65 TO 72 - STANDARD HOSE LENGTH IS 1.8M CUSTOM HOSE LENGTHS ARE AVAILABLE - PLEASE SPECIFY		
73	REGO 7141M (MALE) - REGO 7141M (MALE)	CB-76**-1144
74	REGO 7141F (FEMALE) - REGO 7141F (FEMALE)	CB-76**-1111
75	REGO 7141M (MALE) - REGO 7141F (FEMALE)	CB-76**-1114
76	TEMA 3800 FEMALE - TEMA 3800 FEMALE	CB-76**-1422
77	REGO 7141F - TEMA 3800 FEMALE	CB-76**-1412
78	REGO 7141M - TEMA 3800 FEMALE	CB-76**-1414
THE THIRD AND FOURTH DIGITS OF THE PART NO. REPRESENT THE LENGTH OF THE HOSE IN DECIMETRES. FOR EXAMPLE: A LIQUID HOSE, 3.1M LONG, FOR SHADOW DOUBLE WOULD BE CB-7631-1100		
ITEMS 73 TO 78 - CUSTOM HOSE LENGTHS ARE AVAILABLE - PLEASE SPECIFY		
200	UNIVERSAL REFUELLING KIT REGO (MALE) TO UK POL (MALE) HOSE, 1.8m	CH-6000-1000
CONTAINS THE FOLLOWING ADAPTORS: UK POL - LIPTON COUPLING, UK POL - REGO FEMALE COUPLING BM144, UK POL - US POL, UK POL - CARGAS 3/4BSP BAYONET, UK POL - CONTINENTAL FITTING UK POL - 1 3/4 ACME CARGAS - TYPE 2 (GERMANY/IRELAND) UK POL - CARGAS ADAPTOR - TYPE 3 (FRANCE/ITALY)		
300	UNIVERSAL REFUELLING KIT - TEMA TO UK POL (MALE) HOSE, 1.8m	CH-6000-2000
CONTAINS THE FOLLOWING ADAPTORS: UK POL - TEMA FEMALE, UK POL - LIPTON COUPLING, UK POL - US POL, UK POL - CARGAS 3/4BSP BAYONET, UK POL - CONTINENTAL FITTING UK POL - 1 3/4 ACME CARGAS - TYPE 2 (GERMANY/IRELAND) UK POL - CARGAS ADAPTOR - TYPE 3 (FRANCE/ITALY)		



**CUSTOM HOSE LENGTHS ARE AVAILABLE.**  
FOR ADVICE ON ORDERING THESE CONTACT:

[AFTERSALES@CAMERONBALLOONS.CO.UK](mailto:AFTERSALES@CAMERONBALLOONS.CO.UK)



Item #	Description	Part #
37	REDUCING NIPPLE - 1/4 NPT - 3/8 NPT	CB-0440-0007
38	3-WAY T FOR MANIFOLDS - 1/4 NPT FEMALE EACH	CB-0440-0005
39	4-WAY T FOR MANIFOLDS - 1/4 NPT FEMALE EACH	CB-0440-0006
40	WAVERLEY REDUCER - 3/8BSP MALE - 1/4NPT MALE	CB-0440-0017
41	7141M MOD FOR 6LB CYLINDER	CH-7141-0003
42	REGO 7141F DUST CAP	CH-7141-9000
43	REGO FEMALE COUPLING BM144	CH-0144-0001
45	1/4" FEMALE NPT COUPLING	CH-5000-0003
46	BONNANO PROPANE FILTER	CB-2894-0000
47	UK POL NUT	CH-6000-0005
48	US POL NUT	CH-6000-0007
49	CONTINENTAL REFUELLING FITTING	CH-6000-0008
52	CARGAS REGO 76475C BAYONET ADAPTOR	CH-6000-0012
53	UK POL FEMALE CONNECTOR	CH-6000-0013
54	CARGAS FRENCH ADAPTOR - TYPE 3	CH-6000-0014
55	UK / US POL NIPPLE	CH-6000-0017
58	CARGAS 3/4 BSP BAYONET ADAPTOR	CH-6000-0023
59	CARGAS - FORECOURT BAYONET ADAPTOR	CH-6000-0024
60	1 3/4 ACME CARGAS ADAPTOR - TYPE 2	CH-6000-0025
61	RETROFIT HOSE PROTECTION SLEEVE KIT	CQ-2013-9000
62	HOOK AND LOOP CABLE TIE 325MM	CH-1000-0002
63	NITROGEN KIT (REGO)	CH-0000-0014
64	NITROGEN KIT (TEMA)	CH-0000-0015



### IMPORTANT:

A RANGE OF DIFFERENT CYLINDER TYPES EXIST AND IT IS IMPORTANT TO IDENTIFY THE CORRECT TYPE CONCERNED, AS THE DETAIL FITTINGS ARE NOT ALL INTERCHANGEABLE BETWEEN TYPES. IF IN DOUBT CONTACT:

[AFTERSALES@CAMERONBALLOONS.CO.UK](mailto:AFTERSALES@CAMERONBALLOONS.CO.UK)

Item #	Description	Part #
81	CONTENTS GAUGE GASKET	CB-2561-0000
82	CONTENTS GAUGE BOLTS (DUPLIX STAINLESS STEEL & TITANIUM ONLY)	CY-5000-0013
83	CONTENTS GAUGE BOLT (STAINLESS STEEL & WORTHINGTON ONLY)	CY-5000-0014
84	CONTENTS GAUGE BOLT THUNDER & COLT (M6 X 25 S/S SOCKET CAP)	CY-0006-3025
86	CONTENTS GAUGE - 45 / 60 LTR	CB-2552-0000
87	CONTENTS GAUGE - 56 / 80 LTR	CB-2553-0000
88	CONTENTS GAUGE DIAL & SCREW	CB-2551-0001
89	80% FIX LIQUID LEVEL (FLL) GAUGE - 45 / 60 LTR	CB-2480-0021
90	80% FIX LIQUID LEVEL (FLL) GAUGE - 45 / 60 LTR (WITH NUT)	CB-2480-1021
91	80% FIX LIQUID LEVEL (FLL) GAUGE - 56 / 80 LTR	CB-2480-0022
92	80% FIX LIQUID LEVEL (FLL) GAUGE - 56 / 80 LTR (WITH NUT)	CB-2480-1022
95	FLL GAUGE BLANKING NUT	CB-2483-0000
96	VENT HOSE ASSEMBLY	CB-2482-0000
97	FUELSAFE VENT HOSE ASSEMBLY	CB-2482-0001
98	PRESSURE RELIEF DUST PLUG	CT-0250-0004
99	CYLINDER BLANKING PLUG	CT-0250-0013
100	PRESSURE RELIEF VALVE (OMECA)	CB-8412-1000
101	PRESSURE RELIEF VALVE ADAPTOR	CB-8426-0000
102	VAPOUR VALVE - NO PRV - <b>CAMERON</b> FOR USE WITH: CB426, CB497, CB599, CB959, CB2088, CB250	CB-2884-0000
103	VAPOUR VALVE WITH PRV - <b>CAMERON</b> FOR USE WITH: CB426, CB497, CB599, CB959, CB2088, CB250	CB-2896-0000
104	VAPOUR VALVE WITH PRV - THUNDER & COLT / SKY FOR USE WITH: V20, V30 & V40	CB-2883-0000
107	VAPOUR VALVE WITH DIP TUBE ( <b>CAMERON</b> TITANIUM CYLINDERS) FOR USE WITH: CB2380S, CB2383S, CB2385S & CB2387S	CQ-2001-0000
108	VAPOUR REGULATOR -SYSTEM - DYNAQUIP	CQ-2000-1000
109	VAPOUR REGULATOR SYSTEM - TEMA	CQ-2000-2000

 81 CB-2561-0000	 82 CY-5000-0013	 83 CY-5000-0014	 84 CY-0006-3025 T&C ONLY	 86 CB-2552-0000
 87 CB-2553-0000	 88 CB-2551-0001	 89 CB-2480-0021	 90 CB-2480-1021 INC. BLANKING NUT	 91 CB-2480-0022
 92 CB-2480-1022 INC. BLANKING NUT	 95 CB-2483-0000	 96 CB-2482-0000	 97 CB-2482-0001	 98 CT-0250-0004
 99 CT-0250-0013	 100 CB-8412-1000	 101 CB-8426-0000	 102 CB-2884-0000	 103 CB-2896-0000
 104 CB-2883-0000	 107 CQ-2001-0000	 108 CQ-2000-1000	 109 CQ-2000-2000	

### IMPORTANT:

A RANGE OF DIFFERENT CYLINDER TYPES EXIST AND IT IS IMPORTANT TO IDENTIFY THE CORRECT TYPE CONCERNED, AS THE DETAIL FITTINGS ARE NOT ALL INTERCHANGEABLE BETWEEN TYPES. IF IN DOUBT CONTACT:

[AFTERSALES@CAMERONBALLOONS.CO.UK](mailto:AFTERSALES@CAMERONBALLOONS.CO.UK)

Item #	Description	Part #
110	SCHROEDER VAPOUR FITTING (MAY ALSO REQUIRE ITEM 173)	CB-2567-0000
111	DYNAQUIP Q.RELEASE SOCKET FOR CALOR FITTING	CT-0341-0001
112	VAPOUR VALVE REPAIR KIT	CT-0901-0002
113	BM VAPOUR - CONE / 'O' RING / SEAL	CB-0614-3022
114	BM VAPOUR - SEALING RING	CB-0614-3160
115	BM VAPOUR - SCREW 244A5050	CB-0614-5050
117	REGO 8180 - LIQUID VALVE COVER	CT-8180-9000
118	REGO 8180 - REPLACEMENT STRAPS	CT-8180-9001
119	REGO 8180 - LIQUID VALVE SPRING	CT-8100-0013
120	REGO 8180 - LIQUID VALVE 'O' RING SET	CB-2621-0000
121	REGO 8180 - LIQUID VALVE MAIN SEAL 'O' RING	CB-2624-0000
122	DESEATING TOOL	CT-8180-8000
123	BM LIQUID VALVE	CB-0824-0001
124	BM LIQUID VALVE SELF SEAL SERVICE KIT	CB-2628-0000
125	BM LIQUID VALVE MAIN SEAL KIT	CB-2629-0000
126	TEMA 3800 SERIES MALE COUPLING	CB-0671-0007
127	TEMA DUST CAP	CH-3800-0006
128	TEMA 1300A PILOT QUICK RELEASE 3/8BSPM	CT-1300-0003
129	TEMA 1300EC FEMALE 1/4BSPTM	CT-1300-0007
130	TEMA 3800 FEMALE	CH-3800-0001
131	TEMA 3815 DUST PLUG	CH-3800-0004
133	3/8BSP DOWTY SEAL	CH-3800-0003
165	WARNING LABELS - CYLINDER	CT-2000-0003
176	6MM POLYESTER CORD FOR CYLINDER COVERS	CE-4106-0006
177	REGO 7141M COUPLING FOR MANIFOLDS	CH-7141-0002

 <p>110 CB-2567-0000</p>	 <p>111 CT-0341-0001</p>	 <p>112 CT-0901-0002</p>	 <p>113 CB-0614-3022 <small>No longer available / Contact CBL</small></p>	 <p>114 CB-0614-3160 <small>No longer available / Contact CBL</small></p>
 <p>115 CB-0614-5050 <small>No longer available / Contact CBL</small></p>	 <p>117 CT-8180-9000</p>	 <p>118 CT-8180-9001</p>	 <p>119 CT-8100-0013 <small>No longer available / Contact CBL</small></p>	 <p>120 CB-2621-0000</p>
 <p>121 CB-2624-0000</p>	 <p>122 CT-8180-8000</p>	 <p>123 CB-0824-0001</p>	 <p>124 CB-2628-0000</p>	 <p>125 CB-2629-0000</p>
 <p>126 CB-0671-0007</p>	 <p>127 CH-3800-0006</p>	 <p>128 CT-1300-0003</p>	 <p>129 CT-1300-0007</p>	 <p>130 CH-3800-0001</p>
 <p>131 CH-3800-0004</p>	 <p>133 CH-3800-0003</p>	 <p>165 <b>WARNING</b> FOR USE IN HOT AIR BALLOONS ONLY CT-2000-0003</p>	 <p>176 CE-4106-0006</p>	 <p>177 CH-7141-0002</p>



FOR INFORMATION REGARDING QUICK SHUT-OFF VALVES ON ALL T&C V20 / V30 / V40 & T&C WORTHINGTONS, PLEASE CONTACT: [AFTERSALES@CAMERONBALLOONS.CO.UK](mailto:AFTERSALES@CAMERONBALLOONS.CO.UK)

### IMPORTANT:

A RANGE OF DIFFERENT CYLINDER TYPE EXIST AND IT IS IMPORTANT TO IDENTIFY THE CORRECT TYPE CONCERNED, AS THE DETAIL FITTINGS ARE NOT ALL INTERCHANGEABLE BETWEEN TYPES.

Item #	Description	Part #
134	DOWTY SEAL TEMA SOCKET/ADAPTOR	CT-1300-0002
135	DOWTY SEAL TEMA ADAPTOR/REGULATOR	CT-1300-0004
136	TEMA 'O' RING PACK	CB-2631-0000
137	REGO QUICK SHUT OFF PARTS - <b>SEE TABLE BELOW</b> PACKET CONSISTS OF ITEMS: 139, 140, 141, 142, 144 (x 4 UNITS) & 149 PLEASE SPECIFY CYLINDER DRAWING NUMBER FOR HANDLE SELECTION - 145 or 176	CB-0671-*000
138	TEMA QUICK SHUT OFF PARTS - <b>SEE TABLE BELOW</b> PACKET CONSISTS OF ITEMS: 126, 131, 133, 139, 143, 144 (x 4 UNITS) & 148 PLEASE SPECIFY CYLINDER DRAWING NUMBER FOR HANDLE SELECTION - 145 or 176	CB-0671-*000
139	FLANGE ADAPTOR (THREADED)	CB-0437-0001
140	WORCESTER BALL VALVE	CB-0392-0017
141	REGO 7141M 7/8 UNEF THREAD - HIFLOW (NOW FITTED TO ALL CYLINDERS)	CB-7901-0000
142	REGO ADAPTOR BLOCK QUICK SHUT OFF	CB-8409-0000
143	TEMA ADAPTOR BLOCK QUICK SHUT OFF	CB-8410-0000
144	M6 X 65 HEX HEAD BOLT	CY-0006-0065
145	QSO HANDLE (INC. RED SLEEVE) FOR CB250, CB426, CB497, CB599, CB959, CB2088, CB2380, CB2383, CB2385 & CB2387	CB-8416-1000
146	QUICK SHUT OFF HANDLE SLEEVE (RED)	CB-8416-0002
147	WORCESTER VALVE SEAL KIT	CB-0392-0018
148	WORCESTER/TEMA THREADED ADAPTOR	CB-0671-0006
149	7/8 UNEF DOWTY SEAL	CB-0671-0004
152	CYLINDER FOAM - 40 / 45 LTR - STAINLESS STEEL / ALUMINIUM	CG-1100-0005
153	CYLINDER FOAM - 60 LTR - STAINLESS STEEL	CG-1100-0006
154	CYLINDER FOAM - 60 LTR - STAINLESS STEEL TALL	CG-1100-0008
155	CYLINDER FOAM - 80 LTR - STAINLESS STEEL	CG-1100-0007
163	STAINLESS STEEL COVER (INCLUDING FOAM)	CT-8000-2000
164	STAINLESS STEEL COVER ONLY	CT-8000-3000
165	QSO HANDLE (INC. RED SLEEVE) - FOR CB2900, CB2901, CB2902 & CB2903	CB-8416-2000
166	CYLINDER RING COVER - CAMERON	CB-2198-0001
167	CYLINDER RING COVER - THUNDER & COLT	CB-2198-0002

PART NUMBER	QUICK SHUT OFF ASSEMBLY
CB-0671-1000	TEMA - CB250, CB426, CB497, CB599, CB959, CB2088, CB2380, CB2383, CB2385 & CB2387
CB-0671-2000	REGO - CB250, CB426, CB497, CB599, CB959, CB2088, CB2380, CB2383, CB2385 & CB2387
CB-0671-3000	TEMA - CB2900, CB2901, CB2902 & CB2903
CB-0671-4000	REGO - CB2900, CB2901, CB2902 & CB2903
CB-0671-5000	TEMA - CB2990
CB-0671-6000	REGO - CB2990

 <p>134 CT-1300-0002</p>	 <p>135 CT-1300-0004</p>	 <p>136 CB-2631-0000</p>	 <p>137 CB-0671-2000 SEE 'MISCELLANEOUS' FOR COMPONENT PARTS</p>	 <p>138 CB-0671-1000 SEE 'MISCELLANEOUS' FOR COMPONENT PARTS</p>
 <p>139 CB-0437-0001</p>	 <p>140 CB-0392-0017</p>	 <p>141 CB-7901-0000 - HIFLOW</p>	 <p>142 CB-8409-0000 REGO</p>	 <p>143 CB-8410-0000 TEMA</p>
 <p>144 CY-0006-0065</p>	 <p>145 CB-8416-1000</p>	 <p>146 CB-8416-0002</p>	 <p>147 CB-0392-0018</p>	 <p>148 CB-0671-0006</p>
 <p>149 CB-0671-0004</p>	 <p>152 CG-1100-0005</p>	 <p>153 CG-1100-0006</p>	 <p>154 CG-1100-0008</p>	 <p>155 CG-1100-0007</p>
 <p>163 CT-8000-2000 inc. FOAM SPECIFY MANUFACTURER, DRW NO. &amp; COLOUR</p>	 <p>164 CT-8000-3000 COVER ONLY SPECIFY MANUFACTURER, DRW NO. &amp; COLOUR</p>	 <p>166 CB-2198-0001</p>	 <p>167 CB-2198-0002 T&amp;C</p>	 <p>165 CB-8416-2000</p>



FOR INFORMATION REGARDING ALUMINIUM FUEL CYLINDERS, PLEASE CONTACT: [AFTERSALES@CAMERONBALLOONS.CO.UK](mailto:AFTERSALES@CAMERONBALLOONS.CO.UK)

### IMPORTANT:

A RANGE OF DIFFERENT CYLINDER TYPES EXIST AND IT IS IMPORTANT TO IDENTIFY THE CORRECT TYPE CONCERNED, AS THE DETAIL FITTINGS ARE NOT ALL INTERCHANGEABLE BETWEEN TYPES. IF IN DOUBT CONTACT:

[AFTERSALES@CAMERONBALLOONS.CO.UK](mailto:AFTERSALES@CAMERONBALLOONS.CO.UK)

Item #	Description	Part #
<b>ALUGAS 50L ALUMINIUM</b>		
81	CONTENTS GAUGE GASKET	CB-2561-0000
86	CONTENTS GAUGE	CB-2552-0000
89	80% FIX LIQUID LEVEL (FLL) GAUGE	CB-2480-0021
90	80% FIX LIQUID LEVEL (FLL) GAUGE (WITH BLANKING NUT)	CB-2480-1021
95	FLL GAUGE BLANKING PLUG	CB-2483-0000
98	PRESSURE RELIEF DUST PLUG	CT-0250-0004
99	CYLINDER BLANKING PLUG	CT-0250-0013
100	PRESSURE RELIEF VALVE (OMECA)	CB-8412-1000
117	REGO 8180 - LIQUID VALVE COVER	CT-8180-9000
156	CYLINDER FOAM	CB-2990-2000
161	CYLINDER COVER (EXCLUDES FOAM)	CB-2990-3000
168	CYLINDER RING COVER	CB-2990-4000
169	LIQUID VALVE (WITH INTEGRAL DIP TUBE)	CB-2992-0000
170	CONTENTS GAUGE, SOCKET HEAD CAP SCREW, M6 X 20	CY-0006-3020
175	4MM POLYESTER CORD FOR ALUGAS COVERS	CB-2990-2006
177	REGO QUICK SHUT OFF PARTS PACKET CONSISTS OF ITEMS: 139, 140, 141, 142, 144 (x 4 UNITS), 145 & 149	CB-0671-5000
178	TEMA QUICK SHUT OFF PARTS PACKET CONSISTS OF ITEMS: 126, 131, 133, 139, 143, 144 (x 4 UNITS), 145 & 148	CB-0671-6000
179	80% FIX LIQUID LEVEL (FLL) GAUGE	CB-2480-0022
180	80% FIX LIQUID LEVEL (FLL) GAUGE	CB-2480-0023

 <p>81 CB-2561-0000</p>	 <p>86 CB-2552-0000</p>	 <p>89 186mm CB-2480-0021</p>	 <p>90 CB-2480-1021 WITH BLANKING NUT</p>	 <p>95 CB-2483-0000</p>
 <p>98 CT-0250-0004</p>	 <p>99 CT-0250-0013</p>	 <p>100 CB-8412-1000</p>	 <p>117 CT-8180-9000 SEE 'MISCELLANEOUS' FOR COMPONENT PARTS</p>	 <p>156 CYL FOAM CB-2990-2000</p>
 <p>161 CB-2990-3000</p>	 <p>168 CB-2990-4000</p>	 <p>169 CB-2992-0000 SEE 'MISCELLANEOUS' FOR COMPONENT PARTS</p>	 <p>170 CY-0006-3020</p>	 <p>175 CB-2990-2006</p>
 <p>177 CB-0671-5000 TEMA SEE 'MISCELLANEOUS' FOR COMPONENT PARTS</p>	 <p>178 CB-0671-6000 REGO SEE 'MISCELLANEOUS' FOR COMPONENT PARTS</p>	 <p>179 220-mm CB-2480-0022</p>		
		 <p>180 156mm CB-2480-0023</p>		

FOR INFORMATION REGARDING QUICK SHUT-OFF VALVES ON WORTHINGTONS, PLEASE CONTACT: [AFTERSALES@CAMERONBALLOONS.CO.UK](mailto:AFTERSALES@CAMERONBALLOONS.CO.UK)

### IMPORTANT:

A RANGE OF DIFFERENT CYLINDER TYPES EXIST AND IT IS IMPORTANT TO IDENTIFY THE CORRECT TYPE CONCERNED, AS THE DETAIL FITTINGS ARE NOT ALL INTERCHANGEABLE BETWEEN TYPES. IF IN DOUBT CONTACT:

[AFTERSALES@CAMERONBALLOONS.CO.UK](mailto:AFTERSALES@CAMERONBALLOONS.CO.UK)

Item #	Description	Part #
<b>WORTHINGTON</b>		
81	CONTENTS GAUGE GASKET	CB-2561-0000
83	CONTENTS GAUGE BOLT	CY-5000-0014
85	CONTENTS GAUGE	CB-2551-0000
89	80% FIX LIQUID LEVEL (FLL) GAUGE	CB-2480-0021
90	80% FIX LIQUID LEVEL (FLL) GAUGE (WITH BLANKING NUT)	CB-2480-1021
95	FLL GAUGE BLANKING PLUG	CB-2483-0000
96	VENT HOSE ASSEMBLY	CB-2482-0000
98	PRESSURE RELIEF DUST PLUG	CT-0250-0004
99	CYLINDER BLANKING PLUG	CT-0250-0013
100	PRESSURE RELIEF VALVE (OMECA)	CB-8412-1000
107	VAPOUR VALVE WITH DIP TUBE (MASTER CYLINDERS)	CQ-2001-0000
108	VAPOUR REGULATOR SYSTEM - DYNAQUIP	CQ-2000-1000
109	VAPOUR REGULATOR SYSTEM - TEMA	CQ-2000-2000
117	REGO 8180 - LIQUID VALVE COVER	CT-8180-9000
123	LIQUID VALVE (CYLINDER DESIGN VARIATION MAY <u>NOT</u> ALLOW INSTALL)	CB-0824-0001
127	TEMA DUST CAP	CH-3800-0006
137	REGO QUICK SHUT OFF PARTS PACKET CONSISTS OF ITEMS: 139, 140, 141, 142, 144 (x 4 UNITS), 145 & 149	CB-0671-2000
138	TEMA QUICK SHUT OFF PARTS PACKET CONSISTS OF ITEMS: 126, 131, 133, 139, 143, 144 (x 4 UNITS), 145 & 148	CB-0671-1000
152	CYLINDER FOAM	CG-1100-0005
168	CYLINDER COVER (PLEASE SPECIFY COLOUR)	CT-8000-1000
169	CYLINDER FOAM & COVER (PLEASE SPECIFY COVER COLOUR)	CT-8000-2000
176	6MM POLYESTER CORD FOR CYLINDER COVERS	CE-4106-0006

 <p>81 CB-2561-0000</p>	 <p>83 CY-5000-0014</p>	 <p>85 CB-2551-0000</p>	 <p>89 CB-2480-0021</p>	 <p>90 CB-2480-1021 WITH BLANKING NUT</p>
 <p>95 CB-2483-0000</p>	 <p>96 CB-2482-0000 SEE 'MISCELLANEOUS' FOR COMPONENT PARTS</p>	 <p>98 CT-0250-0004</p>	 <p>99 CT-0250-0013</p>	 <p>100 CB-8412-1000</p>
 <p>107 CQ-2001-0000</p>	 <p>108 CQ-2000-1000 DYNAQUIP</p>	 <p>109 CQ-2000-2000 TEMA</p>	 <p>117 CT-8180-9000</p>	 <p>123 CB-0824-0001 SEE NOTES SEE 'MISCELLANEOUS' FOR COMPONENT PARTS</p>
 <p>137 CB-0671-2000 REGO SEE 'MISCELLANEOUS' FOR COMPONENT PARTS</p>	 <p>138 CB-0671-1000 TEMA SEE 'MISCELLANEOUS' FOR COMPONENT PARTS</p>	 <p>152 CG-1100-0005 CYL. FOAM</p>	 <p>127 CH-3800-0006</p>	 <p>168 CT-8000-1000 SPECIFY COVER COLOUR SAMPLE</p>
		 <p>169 CT-8000-2000 inc. FOAM SPECIFY COVER COLOUR SAMPLE</p>	 <p>176 CE-4106-0006</p>	

FOR FURTHER INFORMATION REGARDING DUPLEX FUEL CYLINDERS, PLEASE CONTACT: [AFTERSALES@CAMERONBALLOONS.CO.UK](mailto:AFTERSALES@CAMERONBALLOONS.CO.UK)

### IMPORTANT:

A RANGE OF DIFFERENT CYLINDER TYPES EXIST AND IT IS IMPORTANT TO IDENTIFY THE CORRECT TYPE CONCERNED, AS THE DETAIL FITTINGS ARE NOT ALL INTERCHANGEABLE BETWEEN TYPES. IF IN DOUBT CONTACT:

[AFTERSALES@CAMERONBALLOONS.CO.UK](mailto:AFTERSALES@CAMERONBALLOONS.CO.UK)

Item #	Description	Part #
<b>COMMON COMPONENTS TO DUPLEX STAINLESS STEEL CYLINDERS</b>		
81	CONTENTS GAUGE GASKET	CB-2561-0000
82	CONTENTS GAUGE BOLT	CY-5000-0013
96	VENT HOSE ASSEMBLY	CB-2482-0000
98	PRESSURE RELIEF DUST PLUG	CT-0250-0004
99	CYLINDER BLANKING PLUG	CT-0250-0013
100	PRESSURE RELIEF VALVE (OMECA)	CB-8412-1000
107	VAPOUR VALVE WITH DIP TUBE (MASTER CYLINDERS)	CQ-2001-0000
108	VAPOUR REGULATOR - DYNAQUIP	CQ-2000-1000
109	VAPOUR REGULATOR - TEMA	CQ-2000-2000
117	REGO 8180 - LIQUID VALVE COVER	CT-8180-9000
123	LIQUID VALVE	CB-0824-0001
127	TEMA DUST CAP	CH-3800-0006
137	REGO QUICK SHUT OFF PARTS PACKET CONSISTS OF ITEMS: 139, 140, 141, 142, 144 (x 4 UNITS), 176 & 149	CB-0671-4000
138	TEMA QUICK SHUT OFF PARTS PACKET CONSISTS OF ITEMS: 126, 131, 133, 139, 143, 144 (x 4 UNITS), 176 & 148	CB-0671-3000
166	CYLINDER RING COVER - <b>CAMERON</b>	CB-2198-0001

 <p>81 CB-2561-0000</p>	 <p>82 CY-5000-0013</p>	 <p>96 CB-2482-0000 SEE 'MISCELLANEOUS' FOR COMPONENT PARTS</p>	 <p>98 CT-0250-0004</p>	 <p>99 CT-0250-0013</p>
 <p>100 CB-8412-1000</p>	 <p>107 CQ-2001-0000</p>	 <p>108 CQ-2000-1000 DYNAQUIP</p>	 <p>109 CQ-2000-2000 TEMA</p>	 <p>117 CT-8180-9000 SEE 'MISCELLANEOUS' FOR COMPONENT PARTS</p>
 <p>123 CB-0824-0001 SEE 'MISCELLANEOUS' FOR COMPONENT PARTS</p>	 <p>127 CH-3800-0006</p>	 <p>166 CB-2198-0001</p>		
 <p>137 CB-0671-4000 REGO SEE 'MISCELLANEOUS' FOR COMPONENT PARTS</p>		 <p>138 CB-0671-3000 TEMA SEE 'MISCELLANEOUS' FOR COMPONENT PARTS</p>		

FOR INFORMATION REGARDING DUPLEX FUEL ON WORTHINGTONS, PLEASE CONTACT: [AFTERSALES@CAMERONBALLOONS.CO.UK](mailto:AFTERSALES@CAMERONBALLOONS.CO.UK)

### IMPORTANT:

A RANGE OF DIFFERENT CYLINDER TYPES EXIST AND IT IS IMPORTANT TO IDENTIFY THE CORRECT TYPE CONCERNED, AS THE DETAIL FITTINGS ARE NOT ALL INTERCHANGEABLE BETWEEN TYPES. IF IN DOUBT CONTACT:

[AFTERSALES@CAMERONBALLOONS.CO.UK](mailto:AFTERSALES@CAMERONBALLOONS.CO.UK)

Item #	Description	Part #
<b>45L DUPLEX STAINLESS STEEL CYLINDER - CB2900</b>		
86	CONTENTS GAUGE	CB-2552-0000
89	80% FIXED LIQUID LEVEL (FLL) GAUGE	CB-2480-0021
90	80% FIXED LIQUID LEVEL (FLL) GAUGE (WITH BLANKING NUT)	CB-2480-1021
157	CYLINDER FOAM	CG-1100-0001
170	CYLINDER COVER (PLEASE SPECIFY COLOUR)	CT-8000-3045
<b>60L DUPLEX STAINLESS STEEL CYLINDER - CB2901</b>		
86	CONTENTS GAUGE	CB-2552-0000
89	80% FIXED LIQUID LEVEL (FLL) GAUGE	CB-2480-0021
90	80% FIXED LIQUID LEVEL (FLL) GAUGE (WITH BLANKING NUT)	CB-2480-1021
158	CYLINDER FOAM	CG-1100-0002
171	CYLINDER COVER (PLEASE SPECIFY COLOUR)	CT-8000-3060
<b>72L DUPLEX STAINLESS STEEL CYLINDER - CB2903</b>		
87	CONTENTS GAUGE	CB-2553-0000
91	80% FIXED LIQUID LEVEL (FLL) GAUGE	CB-2480-0022
92	80% FIXED LIQUID LEVEL (FLL) GAUGE (WITH BLANKING NUT)	CB-2480-1022
159	CYLINDER FOAM	CG-1100-0004
172	CYLINDER COVER (PLEASE SPECIFY COLOUR)	CT-8000-3072
176	6MM POLYESTER CORD FOR ALL COVERS	CE-4106-0006








Item #	Description	Part #
<b>2.5HP</b>		
1	2.5HP IMPELLER	CB-8980-0003
2	2.5HP FAN FINGER GUARD (H= 514mm, L= 461mm & W= 320mm)	CB-8980-0004
<b>5.5HP</b>		
3	5.5HP COMPLETE FAN GUARD (CURRENT STYLE - FRONT & BACK) (H= 880mm, L= 706mm & W= 485mm)	CB-6446-6447
4	5.5HP FAN GUARD (CURRENT STYLE - FRONT ONLY)	CB-6446-0000
5	5.5HP COMPLETE FAN GUARD (OLD STYLE RED. REPLACEMENT = BLACK)	CF-5000-0006
6	5.5HP FAN HUB	CB-0698-0002
7	5.5HP CARBON FIBRE PROPELLER	CB-6422-0000
8	5.5HP CARBON FIBRE PROPELLER REPLACEMENT KIT	CB-6422-1000
9	5.5HP AIR FILTER	CF-5000-0003
10	5.5HP FAN COOLING IMPELLOR	CF-5000-0004
<b>8HP</b>		
11	8HP COMPLETE FAN GUARD (FRONT & BACK) (H= 965mm, L= 850mm & W= 555mm)	CB-6449-6450
12	8HP FAN GUARD (FRONT ONLY)	CB-6449-0000
13	8HP FAN GUARD (OLD STYLE WITH WIRE CUT OUT)	CF-1300-0006
14	8HP FAN GUARD (OLD STYLE WITHOUT WIRE CUT OUT)	CF-8000-0006
15	8HP FAN HUB	CB-0699-0002
16	8HP FAN COOLING IMPELLOR	CF-8000-0004
17	8HP AIR FILTER	CF-8000-0003
18	8HP CARBON FIBRE PROPELLER	CB-6423-0000
19	8HP CARBON FIBRE PROPELLER REPLACEMENT KIT <b>IF REPLACING A WOODEN PROPELLER WITH A CARBON FIBRE ONE THE APPROPRIATE REPLACEMENT BOLT KIT IS REQUIRED</b>	CB-6423-1000
<b>13HP</b>		
13	13HP FAN GUARD (OLD STYLE WITH WIRE CUT OUT)	CF-1300-0006
20	13HP FAN HUB	CB-0699-0003
21	13HP FAN COOLING IMPELLOR	CF-1300-0004
22	13HP AIR FILTER	CF-1300-0003
23	13HP CARBON FIBRE PROPELLER	CB-6436-0000
19	13HP CARBON FIBRE PROP REPLACEMENT KIT <b>IF REPLACING A WOODEN PROPELLER WITH A CARBON FIBRE ONE THE APPROPRIATE REPLACEMENT BOLT KIT IS REQUIRED</b>	CB-6423-1000
<b>13HP XL</b>		
24	13HP XL CARBON FIBRE PROPELLER	CB-6424-0000
25	13HP XL FAN GUARD (NO LONGER AVAILABLE)	CB-6144-0000
26	13HP XL FRONT GUARD	CB-6451-0000
27	13HP COMPLETE FAN GUARD (FRONT & BACK) (H= 952mm, L= 153mm & W= 952mm)	CB-6451-6452

Item #	Description	Part #
<b>MISCELLANEOUS</b>		
28	FAN GUARD SCREW	CF-5813-0000
29	RUBBER MOUNTS FOR FANS	CF-5000-0007
30	FAN ENGINE MOUNTING BUFFER	CB-6444-0000
31	FAN GUARD BUFFER	CB-6484-0000
32	M6 X 10 SS SET SCREW	CY-0006-0010
33	M6 X 45 BOLT	CY-0006-0045
34	M6 PLAIN WASHER	CY-0006-2008
35	M8 SPRING WASHER	CY-1008-2007
36	M10 SPRING WASHER	CY-1010-2007
37	M6 X 20	CY-0006-0020
38	M6 NYLOC NUTS	CY-0006-1002
39	M8 X 40 HEX HEAD BOLT	CY-1008-0040
40	M8 NYLOC BZP	CY-1008-1002
41	M10 NYLOC BZP	CY-1010-1002
42	M10 PLAIN WASHER	CY-0010-2030
43	M6 X 50 BZP WASHER (WHEEL - MUD) 5.5HP, 8HP & 13HP	CY-1006-2009
44	M6 X 25 BZP WASHER (WHEEL - MUD) 2.5HP	CY-1006-2006
45	FAN WHEEL	CB-6453-0000

\*\*\* ALL NEW REPLACEMENT GUARDS WILL BE SUPPLIED IN BLACK, PLASTIC DIP COATING \*\*\*

TYPE	OLD STYLE RED CAGE COMPLETE - WITHOUT S/S FRAME RING FOR ATTACHING GUARD	CURRENT BLACK CAGE COMPLETE - WITH S/S FRAME RING FOR ATTACHING GUARD	PROP LENGTH	PCD 4-STUD
	Dimensions			
5.5HP	679mm Dia. 150mm Depth	700mm Dia. 140mm Depth	610mm	
8HP*	834mm Dia. 150mm Depth	847mm Dia. 140mm Depth	750mm	
13HP	834mm Dia. 150mm Depth WITH EXHAUST CUT OUT IN REAR GUARD	N/A	750mm	
13HP XL	N/A	952mm Dia. 150mm Depth	840mm	

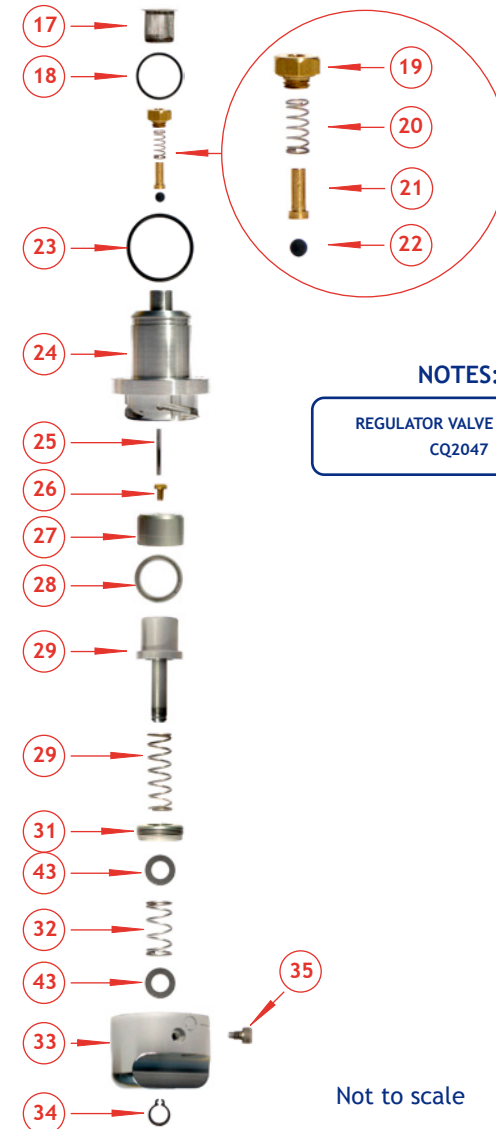
\* TWO VERSIONS WERE MANUFACTURED - WITH AND WITHOUT EXHAUST CUT-OUT IN REAR GUARD

 <p>1 CB-8980-0003</p>	 <p>2 CB-8980-0004 2.5 HP GUARD</p>	 <p>3 CB-6447-6446 5.5 HP SET</p>	 <p>4 CB-6446-0000 5.5 HP GUARD</p>	 <p>5 CF-5000-0006 5.5 HP SET   OLD STYLE</p>	 <p>6 CB-0698-0002</p>	 <p>7 CB-6422-0000</p>	 <p>8 CB-6422-1000</p>	 <p>9 CF-5000-0003</p>
 <p>10 CF-5000-0004</p>	 <p>11 CB-6449-6450 8HP SET</p>	 <p>12 CB-6449-0000 8HP GUARD</p>	 <p>13 CF-1300-0006 8 + 13 HP SET</p>	 <p>14 CF-8000-0006 8 HP SET</p>	 <p>15 CB-0699-0002</p>	 <p>16 CF-8000-0004</p>	 <p>17 CF-8000-0003</p>	 <p>18 CB-6423-0000</p>
 <p>19 CB-6423-1000</p>	 <p>20 CB-0699-0003</p>	 <p>21 CF-1300-0004</p>	 <p>22 CF-1300-0003</p>	 <p>23 CB-6436-0000</p>	 <p>24 CB-6424-0000</p>	 <p>25 CB-6144-0000 13 HP SET No longer available</p>	 <p>26 CB-6451-0000 13 HP XL GUARD</p>	 <p>27 CB-6451-6452 13 HP XL SET</p>
 <p>28 CF-5813-0000</p>	 <p>29 CF-5000-0007</p>	 <p>30 CB-6444-0000</p>	 <p>31 CB-6484-0000</p>	 <p>32 CY-0006-0010</p>	 <p>33 CY-0006-0045</p>	 <p>34 CY-0006-2008</p>	 <p>35 CY-1008-2007</p>	 <p>36 CY-1010-2007</p>
 <p>37 CY-0006-0020</p>	 <p>38 CY-0006-1002</p>	 <p>39 CY-1008-0040</p>	 <p>40 CY-1008-1002</p>	 <p>41 CY-1010-1002</p>	 <p>42 CY-0010-2030</p>	 <p>43 CY-1006-2009</p>	 <p>44 CY-1006-2006</p>	 <p>45 CB-6453-0000</p>

Item #	Description	Part #
1	Copper Washer	BU2298
2	Seat & Carrier	BU8018
3	Seat Carrier Sleeve	CQ2039 (was BU2046)
4	Valve Spring	BU2045
5	Valve Stem - Long	CQ2041
6	Valve Seal Quad Ring	BU2222
7	Thin Washer	BU2001
8	Stem Washer	BU2223
9	Long Valve Bonnet (only available in Silver)	BU2043
10	Trust Washer	BU8050
Please Specify: A = 2.5mm, B = 2.8mm, C = 3.0mm, D = 3.2mm, E = 3.5mm or F = 2.0mm		
11	Valve Handle Pivot	BU2040
12	M4 Grub Screw	BU2114
13	Main Burner Valve Handle	BU2049
14	Valve Stem - Short	CQ2040
15	Short Valve Bonnet (only available in Silver)	BU2051
16	Liquid Fire Valve Handle	BU2029
17	Regulator Filter	BU2022
18	Regulator Small O-Ring	BU2229
19	Spring Cap	BU2059
20	Regulator Spring	BU2057
21	Spring Guide	BU2058
22	Viton Valve Ball	BU2232
23	Regulator Large O-Ring	BU2230
24	Regulator Body	BU2055
25	Pushrod	BU2056
26	Brass Slot Screw	BU2231
27	Piston Cap	BU2060
28	Piston Seal	BU2228
29	Piston	BU2062
30	Main Regulator Spring	BU2061
31	Spring Retainer	BU2054
32	Knob Spring	BU2063
33	Regulator Knob	BU2052
34	Regulator Circlip	BU2247
35	Regulator Knob Screw	BU2053
36	1/4" BSP Copper Washer	BU2084
37	Liquid Fire Adaptor	BU2064
38	Liquid Fire Body	BU2067
39	Pressure Gauge Bezel	BU8088
40	Pressure Gauge (IMPORTANT - New gauge will require item 39)	BU8079
41	Gauge Face Seal	BU2218
42	Gauge Small Seal	CU-7553-0012 (was BU2217)
43	Shim / Support Washer	BU2234

## REGULATOR ASSEMBLY - MKI & MKII

BU2021

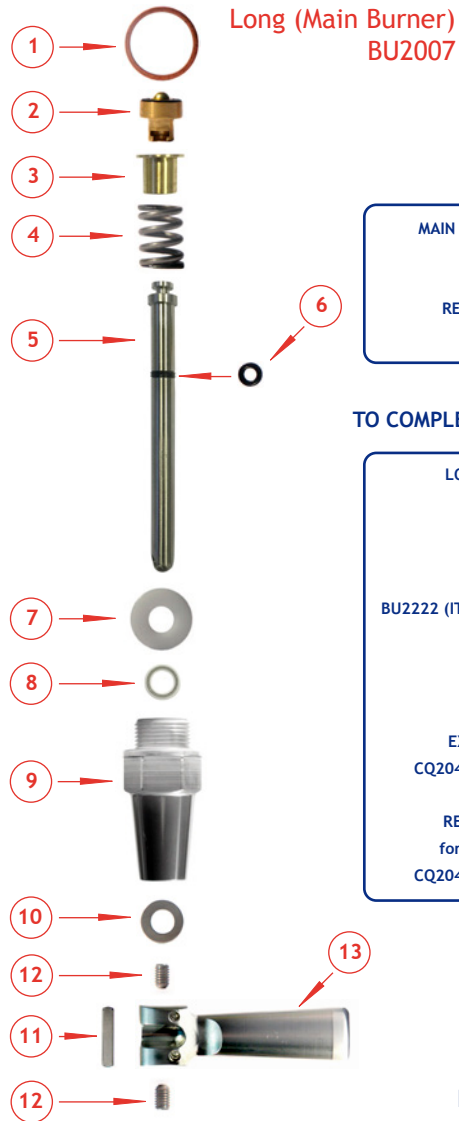


### NOTES:

REGULATOR VALVE SEAL KIT  
CQ2047

Not to scale

## VALVE ASSEMBLY - MKI & MKII



Long (Main Burner)  
BU2007

### NOTES:

MAIN & LIQUID VALVE SEAL KIT  
CQ2046

REMOTE VALVE SEAL KIT  
CQ2050

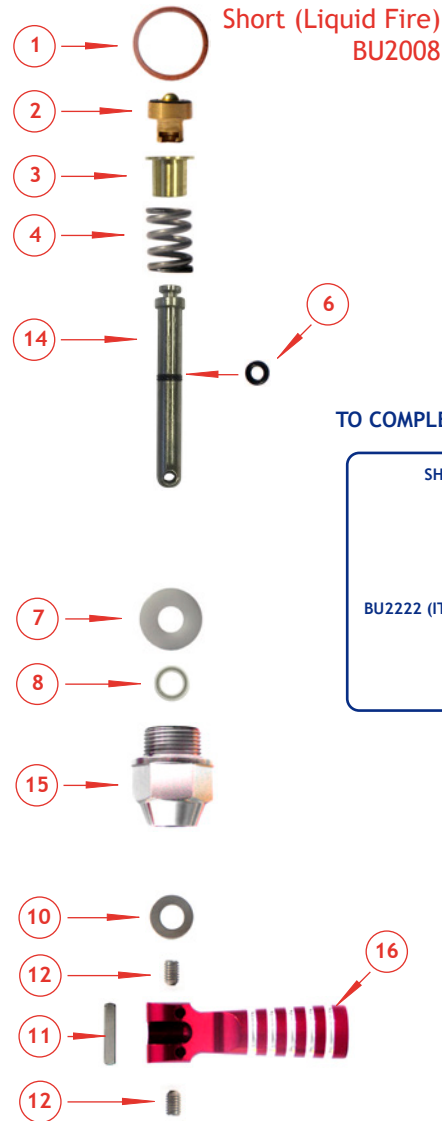
### TO COMPLETE SERVICE BULLETIN 23

LONG SPINDLE MOD KIT  
CQ2043  
contains:  
CQ2041 (ITEM 5)  
BU2298 (ITEM 1)  
BU2222 (ITEM 6) - already installed onto  
item  
CQ2039 (ITEM 3)  
BU2223 (ITEM 8)

EXTRA SHORT MOD KIT  
CQ2042 - CONTACT FOR ADVICE

REMOTE VALVE MOD KIT  
for Remote Burners Only  
CQ2044 - CONTACT FOR ADVICE

Not to scale

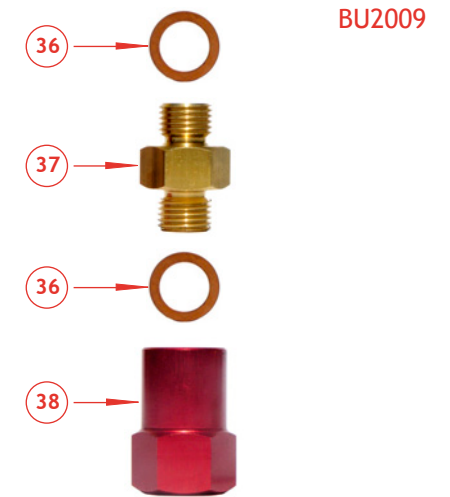


Short (Liquid Fire)  
BU2008

### TO COMPLETE SERVICE BULLETIN 23

SHORT SPINDLE MOD KIT  
BU2008  
contains:  
CQ2040 (ITEM 14)  
BU2298 (ITEM 1)  
BU2222 (ITEM 6) - already installed onto  
item  
CQ2039 (ITEM 3)  
BU2223 (ITEM 8)

## LIQUID JET ASSEMBLY - MKI & MKII



BU2009

## PRESSURE GAUGE ASSEMBLY

MKI & MKII - BU8023



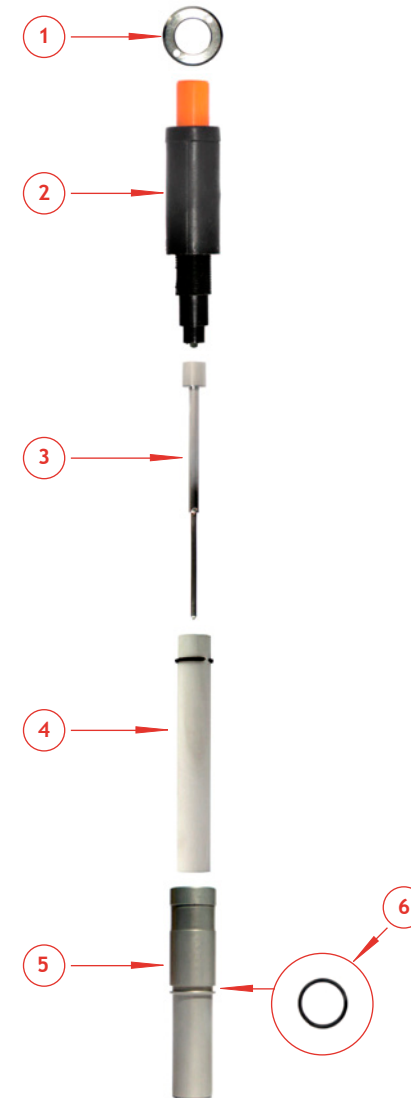
\*Note - Supply of new gauge  
will require new bezel ring



Item #	Description	Part #
1	BEZEL RING	BU2079
2	PIEZO UNIT	BU2240
3	ELECTRODE BOSS & ELECTRODE	BU2245
4	CERAMIC TUBE & CIRCLIP	BU2080
5	IGNITER BODY	BU2078
6	O-RING SEAL	BU2242
7	PILOT LIGHT CUP, RIGHT HAND	BU2076
8	PILOT LIGHT CUP, LEFT HAND	BU2077
9	PILOT LIGHT STEM	BU2069
10	PILOT LIGHT JET - 0.40	BU2037
11	COPPER WASHER	BU2205
12	PILOT LIGHT ADAPTOR	BU2068
13	PILOT LIGHT FILTER	BU2250
14	1/4" BSP COPPER WASHER	BU2084
15	TRIGGER GRIP	BU8048
16	BLAST TRIGGER WELDED ASSEMBLY	BU8010
17	PIVOT PIN	BU8045
18	4MM STANDARD EXTERNAL CIRCLIP	BU2094
19	STAINLESS STEEL COMPRESSION SPRING	BU2990
20	STAINLESS STEEL SPRING CAP	BU8074
21	HANDLE TUBE	BU8046
22	M3 X 8 HEX DRIVE CSK STAINLESS STEEL SCREW	BU2978
23	UPPER VALVE POST	BU8042
24	LOWER VALVE POST	BU8043

## IGNITER ASSEMBLY - MKI & MKII

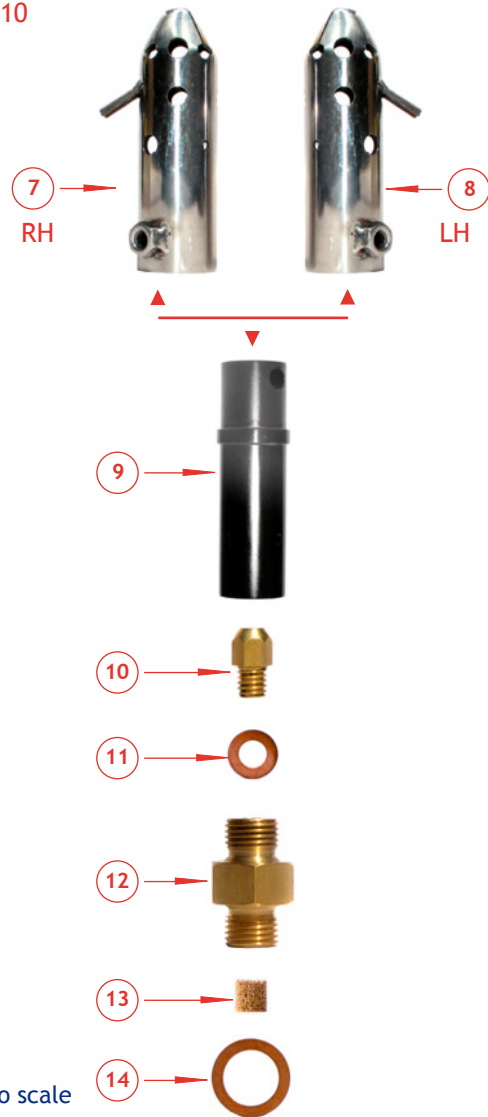
BU8024



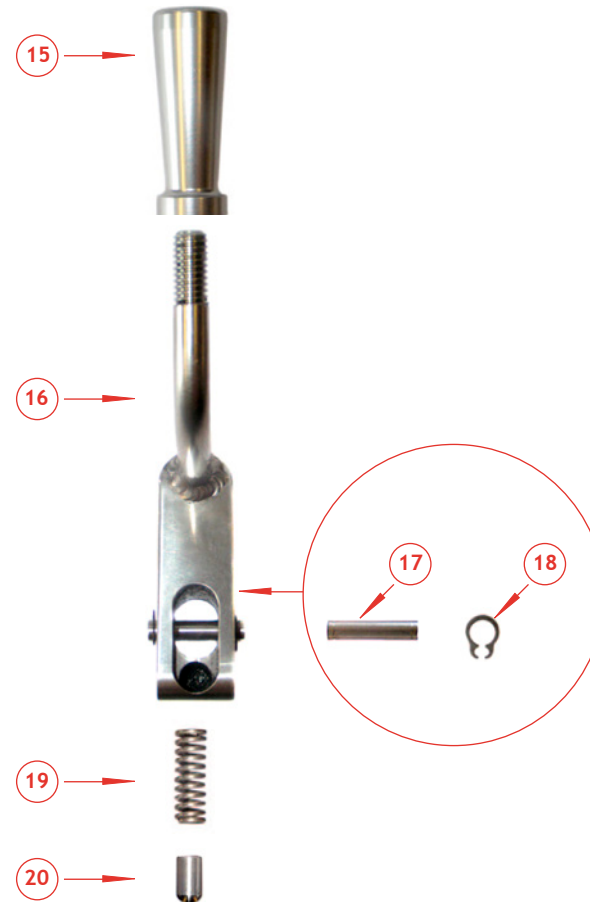
Not to scale

## PILOT LIGHT ASSEMBLY - MKI & MKII

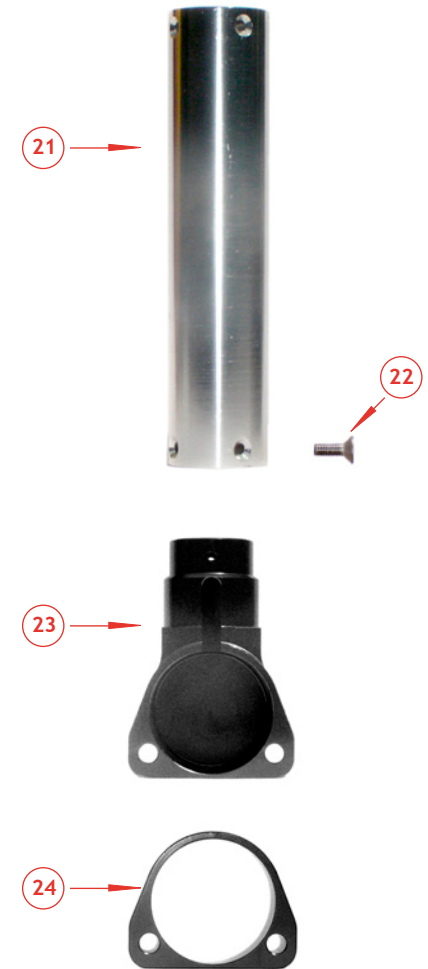
BU2010



## SQUEEZE ASSEMBLY - MKII ONLY



## HANDLE - MKII ONLY





[aftersales@cameronballoons.co.uk](mailto:aftersales@cameronballoons.co.uk) [www.cameronballoons.co.uk](http://www.cameronballoons.co.uk)

tel: +44(0)117 963 7216

**CAMERON BALLOONS LTD**

St.Johns Street, Bedminster, Bristol, BS3 4NH UK

© Cameron Balloons Ltd